



Connecting technology  
for conventional applications

Technik für Möbel

  
**Hettich**



**Connecting fittings for carcasses**  
Summary

6 - 7



**Other connecting fittings**  
Summary

20 - 21



**Adjustment systems for seating and beds**  
Summary

30 - 31



**Plinth adjustment fittings**  
Summary

32 - 33



**Shelf supports / rails and brackets**  
Summary

38 - 39



**Cabinet suspension brackets and suspension rails**  
Summary

44 - 45





**Hettich keeps a firm hold.** What fittings from Hettich join together just doesn't come apart. Hettich also supplies reliable and easy to use solutions for more difficult connections in furniture construction.

Solutions that open up numerous design options using classic or lightweight materials. Convenient on-site assembly. Hettich fittings keep what you promise your customers.



**Small components, big performers:** Hettich connecting technology is brimming with expertise. For perfect results.



**Spherical eccentric cam:** For a better hold in the drill hole. The screwdriver can be held at an angle for greater convenience.

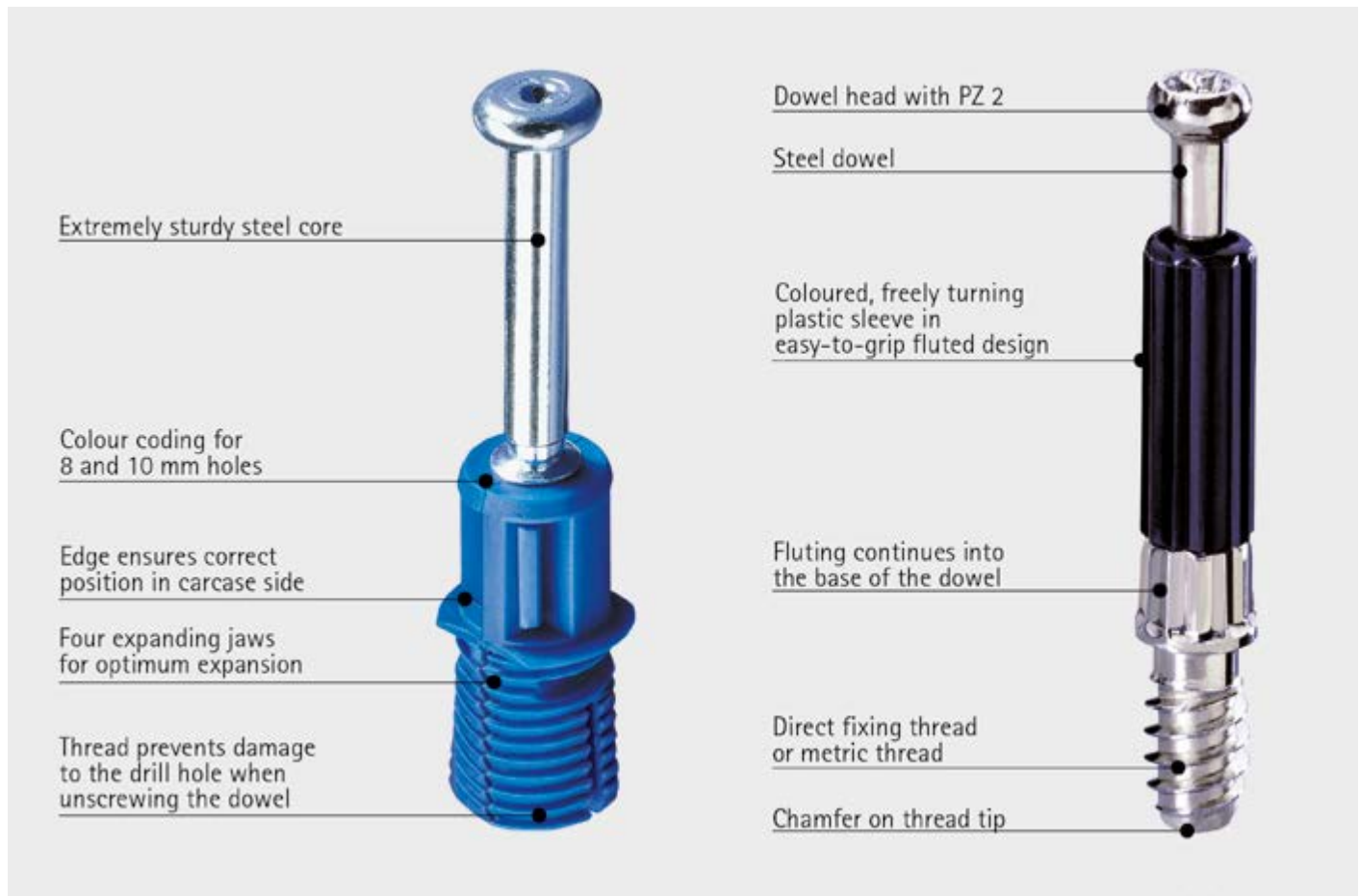


**Providing a firm hold:** Strong connections between shelves and side panels. High load capacity.



# Connecting fittings for carcases

## ► Rapid S fast installation dowel, Twister screw in dowel



### Fast – faster – Rapid S

The new generation of Hettich fast installation dowels with steel core. Slim, light and incredibly strong. Installation without the need for tools – the dowel simply pushes into place. With Rastex, the Rapid S makes the perfect pair.

### Twister – quickly fitted without the risk of injury

By holding the freely rotating sleeve, the Twister can be driven in all the way safely and reliably throughout the insertion process with the cordless screwdriver – preventing risk of injury from sharp edges or burrs.



Rastex 15 can be used in combination with Twister and Rapid S dowels.



Rastex 25 can be used in combination with Twister dowels.



Coloured plastic sleeves in easy-to-grip fluted design indicate dowel lengths. Green (dowel length 20 mm) for Rastex 15, blue (dowel length 24.5 mm) for Rastex 25 and black (dowel length 30 mm) for Rastex 15.



Fast, tool-less installation, simply press by hand into the drilling in the carcass side. Easy to tell apart with coloured expanding elements for 8 mm (blue) and 10 mm (green) drillings.

# Connecting fittings for carcasses

## ► Summary



**Rastex 15 eccentric cam connecting fitting**  
can be used in conjunction with fast installation dowels  
Rapid S dowels and screw in Twister dowels and steel dowels,  
diameter 15 mm

8 - 10



**Rastex 25 eccentric cam connecting fitting**  
can be used in combination with screw in Twister dowels,  
Diameter 25 mm

12



**VB 20 / 21 eccentric cam connecting fittings,**  
**VB 35 / 35 M, VB 36 / 36M, VB 135,**  
block connecting fittings  
Range summary

13

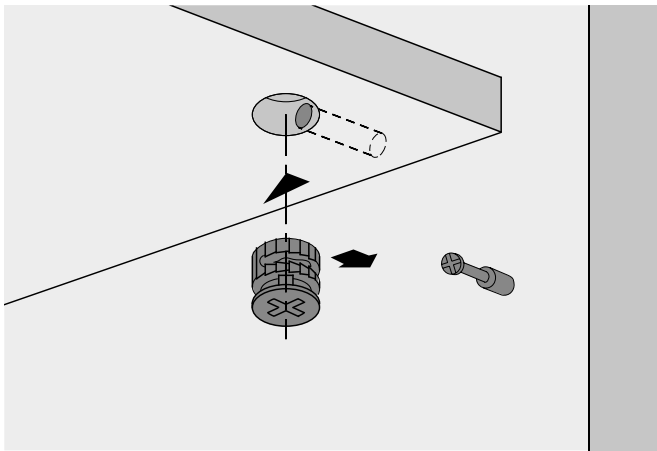


**End screws, sleeves, sockets, screws, cover caps**

27 - 29

# Eccentric cam connecting fitting

## ► Rastex 15



- With torque support – allows furniture side panels to be pulled into place from space up to 4 mm from the panel end
- Twice as secure thanks to interior and exterior indentations – the dowel is always pulled in to the centred position, ruling out any displacement of furniture components!
- Eccentric cam can be tightened with flat-blade screwdriver, Pozidrive screwdriver PZ 3 or Allen key AF 4
- With or without rim, the rim covers any jagged drillings, making an additional cover cap unnecessary
- Zinc die-cast

### Rastex 15 with rim



Finish	Order no. / panel thickness mm					PU
	15	16	19	22	29	
nickel plated	0 079 451	0 071 948	0 071 950	0 071 952	0 079 478	200 ea.
nickel plated	0 079 452	0 073 459	9 066 772	0 073 461	0 079 479	2000 ea.

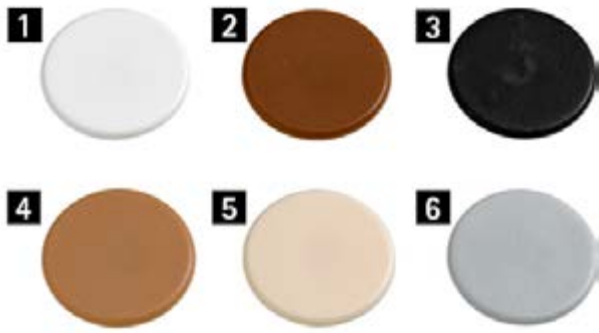
### Rastex 15 without rim



Finish	Order no. / panel thickness mm							PU
	12	15	16	18	19	22	29	
bright	0 020 053	0 079 461	0 079 466	0 013 961	0 079 471	0 079 476	0 079 488	200 ea.
bright	9 116 019	9 059 487	0 079 467	9 056 599	0 079 472	0 079 477	0 079 489	2000 ea.
nickel plated	0 020 049	0 079 457	0 025 062	0 013 957	0 025 064	0 025 066	0 079 484	200 ea.
nickel plated	0 020 050	0 079 458	0 073 456	9 056 601	0 073 457	0 073 458	0 079 485	2000 ea.

- ▶ Rastex 15
- ▶ Cover caps

## Cover caps for Rastex 15 without rim (except for Rastex 15 / 12)



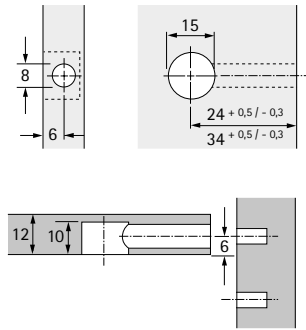
▶ Plastic

Colour	Order no.	PU
<b>1</b> white	<b>0 071 054</b>	200 ea.
<b>2</b> brown	<b>0 071 055</b>	200 ea.
<b>3</b> black	<b>0 079 490</b>	200 ea.
<b>4</b> light brown	<b>0 079 491</b>	200 ea.
<b>5</b> beige	<b>9 134 720</b>	200 ea.
<b>6</b> grey	<b>9 134 731</b>	200 ea.

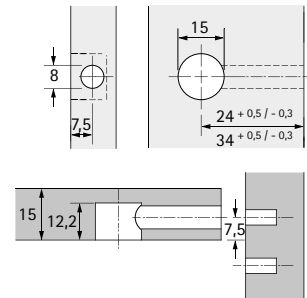
# Eccentric cam connecting fitting

## ► Rastex 15

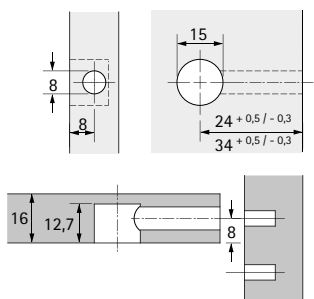
### Rastex 15 for 12 mm bottom panel



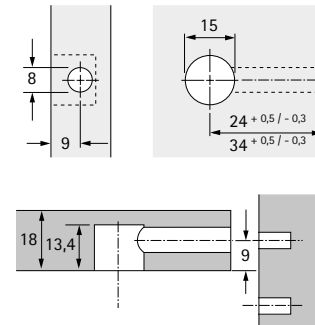
### Rastex 15 for 15 mm bottom panel



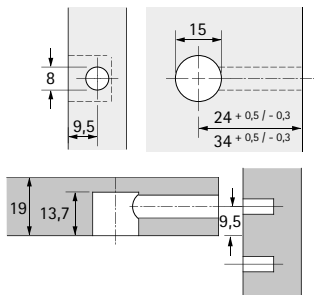
### Rastex 15 for 16 mm shelf



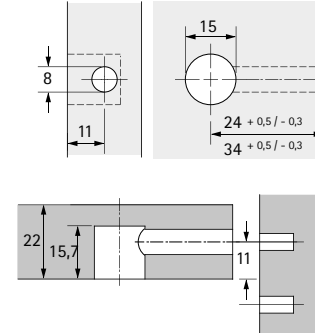
### Rastex 15 for 18 mm bottom panel



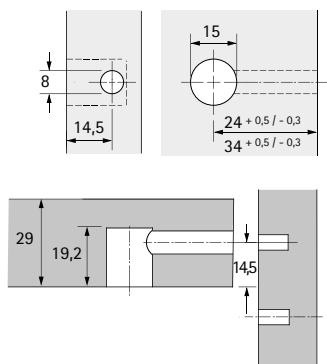
### Rastex 15 for 19 mm bottom panel



### Rastex 15 for 22 mm bottom panel



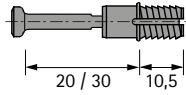
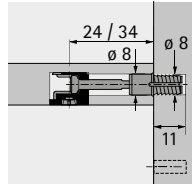
### Rastex 15 for 29 mm bottom panel



# Eccentric cam connecting fitting

- ▶ Rastex 15
- ▶ Rapid S dowel for Rastex 15, Twister dowel for Rastex 15

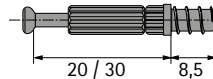
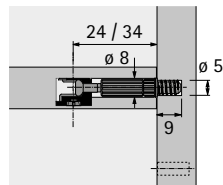
## Rapid S fast installation dowel DU 324 / DU 325



- ▶ Expanding socket for 8 mm drilling diameter
- ▶ Dowel length 20 mm / 30 mm
- ▶ Steel, galvanised / blue plastic

Article version	Dowel length mm	Order no.	PU
Rapid S DU 324	20	9 046 180	2000 ea.
Rapid S DU 325	30	9 046 182	2000 ea.

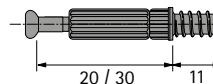
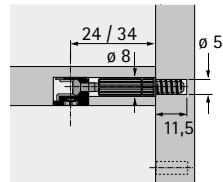
## Twister screw in dowel DU 319 T / DU 320 T



- ▶ With direct fixing thread for drilling diameter of 5 mm
- ▶ Dowel length 20 mm / 30 mm
- ▶ DU 320 T can also be used for VB Insert for lightweight panels with 8 mm face layers
- ▶ For lightweight panels with 4 mm face layers installation only with Hettinject bonding dowels
- ▶ Steel / green or black plastic
- ▶ Can be used in System 32

Article version	Dowel length mm	Order no.	PU
Twister DU 319 T, galvanised	20	9 047 974	2000 ea.
Twister DU 320 T, galvanised	30	9 047 976	2000 ea.

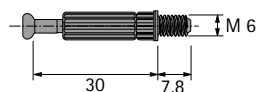
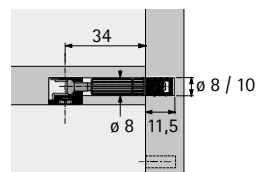
## Twister screw in dowel DU 243 T / DU 232 T



- ▶ With direct fixing thread for drilling diameter of 5 mm
- ▶ Dowel length 20 / 30 mm
- ▶ DU 232 T can also be used for VB Insert for lightweight panels with 8 mm face layers
- ▶ For lightweight panels with 4 mm face layers installation only with Hettinject bonding dowels
- ▶ Steel / green or black plastic
- ▶ Can be used in System 32

Article version	Dowel length mm	Order no.	PU
Twister DU 243 T, galvanised	20	9 047 862	2000 ea.
Twister DU 232 T, galvanised	30	9 047 861	2000 ea.

## Twister screw in dowel DU 644 T



- ▶ M6 x 7.8 mm thread
- ▶ Dowel length 30 mm
- ▶ Steel / black plastic

### Advice:

- ▶ Please order M6 sockets separately, see page 28

Article version	Order no.	PU
Twister DU 644 T, galvanised	9 047 864	2000 ea.

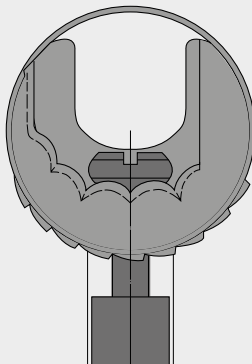
### Rastex 25



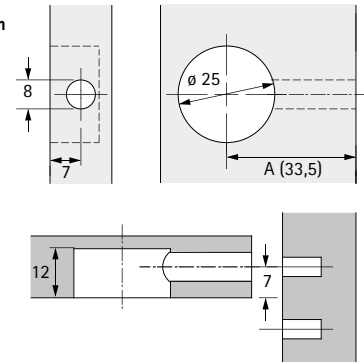
- The latching stages on the curved tensioning surface and sawtooth-like exterior indentations prevent the eccentric cam from working loose
- The dowel is always tightened centrally
- The reverse torque is three time higher than that of comparable eccentric cam fittings
- With or without rim, the rim covers any jagged drillings, making an additional cover cap unnecessary
- Zinc die-cast

Article version	Finish	Order no.	PU
<b>1</b> with rim	nickel plated	<b>0 079 695</b>	200 ea.
<b>2</b> without rim	bright	<b>1 008 983</b>	1000 ea.

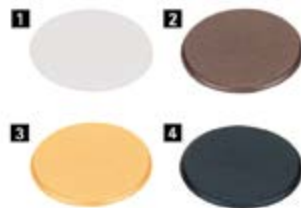
Interior and exterior indentation - double security!



Hole distance A =  
Dowel length + 9 mm



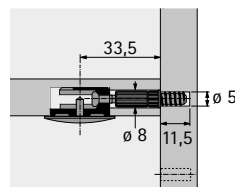
### Cover caps for Rastex 25



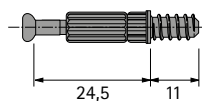
► Plastic

Colour	Order no.	PU
<b>1</b> white	<b>0 071 054</b>	200 ea.
<b>2</b> brown	<b>0 013 118</b>	200 ea.
<b>3</b> beige	<b>0 025 056</b>	200 ea.
<b>4</b> black	<b>0 070 711</b>	200 ea.

### Twister screw in dowel DU 262 T



- Direct fixing thread for drilling diameter of 5 mm
- Dowel length 24.5 mm
- Steel / plastic, blue
- Can be used in System 32



Article version	Order no.	PU
Twister DU 262 T, galvanised	<b>0 020 060</b>	200 ea.

# Connecting fittings for carcasses

## ► Range summary



**Eccentric cam connecting fittings**  
VB 35 / 35 M / 36 / 36 M

14 - 18



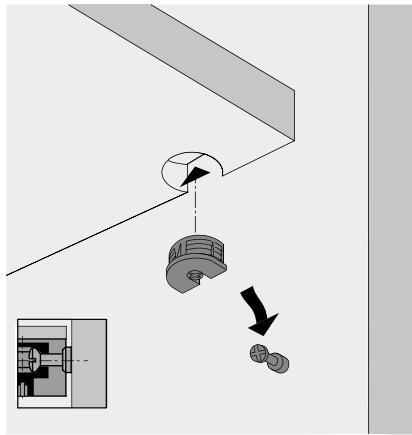
**Shelf connecting fittings**  
VB 135

19

# Eccentric cam connecting fitting

- ▶ VB 35 M
- ▶ With rib

Insert shelf from above. Installation aid for hooking in the shelves



- ▶ Small connecting fittings for sturdy, positive fitting and friction locked connections between shelves and side panels using the tried and proven eccentric cam latching principle
- ▶ The fitting is pressed into the cropped 20 mm diameter drilling
- ▶ The fitting has a spherical eccentric cam
- ▶ Zinc die-cast / plastic
- ▶ Can be used in System 32

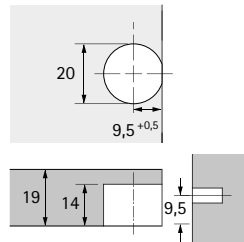


~ 5°

## VB 35 M / 19 for 19 mm shelves



### Drilling pattern for shelves



Dowel centre from underside of shelf

Finish / colour	Order no.	PU
nickel plated	9 124 619	500 ea.
white	9 116 944	1000 ea.
brown	9 116 945	1000 ea.
black	0 079 643	200 ea.

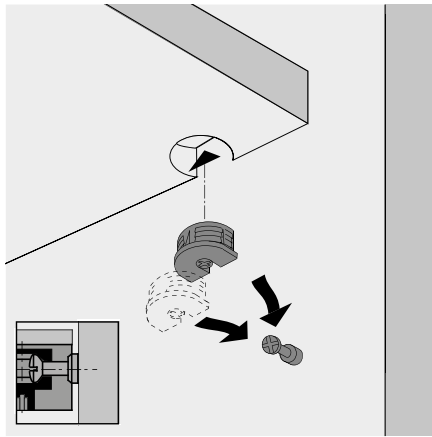
# Eccentric cam connecting fitting

- ▶ VB 35
- ▶ without rib

Insert shelf from above or from the front



∠ ~ 5°

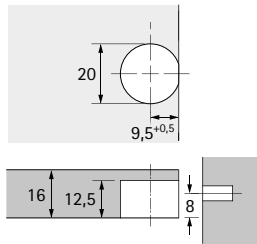


- ▶ Small connecting fittings for sturdy, positive fitting and friction locked connections between shelves and side panels using the tried and proven eccentric cam latching principle
- ▶ The fitting is pressed into the cropped 20 mm diameter drilling
- ▶ The fitting has a spherical eccentric cam
- ▶ Zinc die-cast / plastic
- ▶ Can be used in System 32

## VB 35 / 16 for 16 mm shelves



### Drilling pattern for shelves



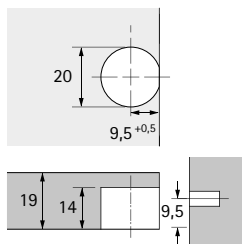
Dowel centre from underside of shelf

Finish / colour	Order no.	PU
white	9 020 729	1000 ea.

## VB 35 / 19 for 19 mm shelves



### Drilling pattern for shelves



Dowel centre from underside of shelf

Finish / colour	Order no.	PU
nickel plated	9 117 725	500 ea.
white	9 116 929	1000 ea.
brown	9 116 930	1000 ea.
black	9 116 928	1000 ea.

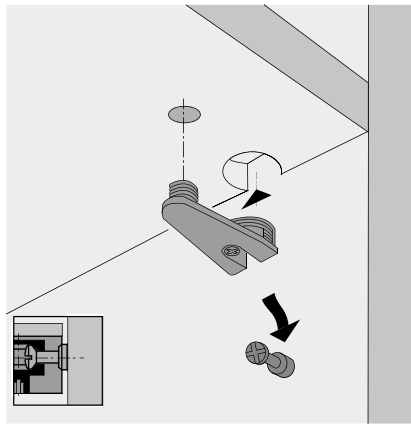
# Eccentric cam connecting fitting

- ▶ VB 36 M
- ▶ With rib

Insert shelf from above. Installation aid for hooking in the shelves



~ 5°

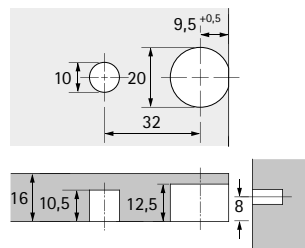


- ▶ Small connecting fittings for sturdy, positive fitting and friction locked connections between shelves and side panels using the tried and proven eccentric cam latching principle
- ▶ The fitting is pressed into a double hole drilled 32 mm apart. Insertion holes in a diameter of 20 and 10 mm
- ▶ The fitting has a spherical eccentric cam
- ▶ Zinc die-cast / plastic
- ▶ Can be used in System 32

## VB 36 M / 16 for 16 mm shelves



### Drilling pattern for shelves



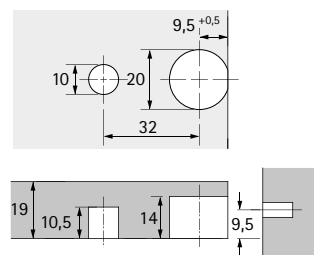
Dowel centre from underside of shelf

Finish / colour	Order no.	PU
nickel plated	9 153 258	200 ea.
white	9 116 498	500 ea.
brown	9 116 508	500 ea.

## VB 36 M / 19 for 19 mm shelves



### Drilling pattern for shelves



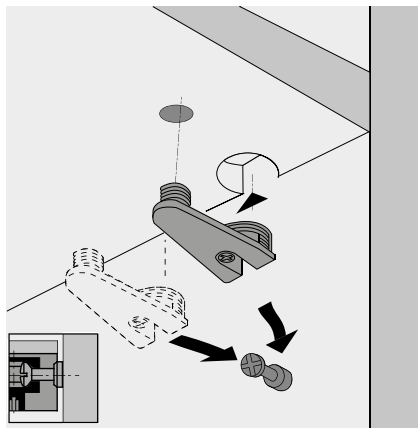
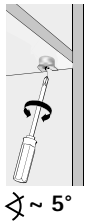
Dowel centre from underside of shelf

Finish / colour	Order no.	PU
nickel plated	9 143 775	200 ea.
white	9 129 805	500 ea.
brown	9 129 881	500 ea.
black	0 079 648	200 ea.

# Eccentric cam connecting fitting

- ▶ VB 36
- ▶ without rib

Insert shelf from above or from the front

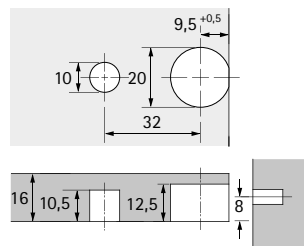


- ▶ Small connecting fittings for sturdy, positive fitting and friction locked connections between shelves and side panels using the tried and proven eccentric latching principle
- ▶ The fitting is pressed into a double hole drilled 32 mm apart. Insertion holes in a diameter of 20 and 10 mm
- ▶ The fitting has a spherical eccentric
- ▶ Zinc die-cast / plastic
- ▶ Can be used in System 32

## VB 36 / 16 for 16 mm shelves



### Drilling pattern for shelves



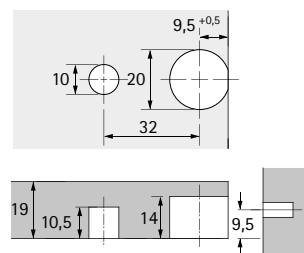
Dowel centre from underside of shelf

Finish / colour	Order no.	PU
white	9 116 464	500 ea.
black	9 096 994	500 ea.

## VB 36 / 19 for 19 mm shelves



### Drilling pattern for shelves



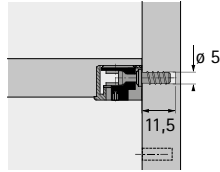
Dowel centre from underside of shelf

Finish / colour	Order no.	PU
white	9 129 786	500 ea.
brown	9 129 828	500 ea.
black	9 129 823	500 ea.

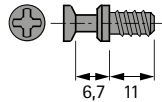
# Screw in dowel

- ▶ VB 35, 35 M, 36, 36 M, 36 HT, 135
- ▶ Dowels for VB 35, 35 M, 36, 36 M, 36 HT, 135

## Screw in dowel DU 321

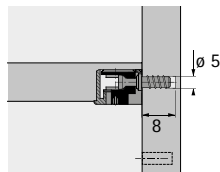


- ▶ With direct fixing thread for drilling diameter of 5 mm
- ▶ Dowel length 6.7 mm
- ▶ Can also be used for lightweight panels with 8 mm face layers
- ▶ For lightweight panels with 4 mm face layers installation only with Hettinject bonding dowels
- ▶ Steel, galvanised
- ▶ Can be used in System 32

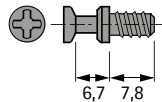


Order no.	PU
9 021 847	5000 ea.

## Screw in dowel DU 322

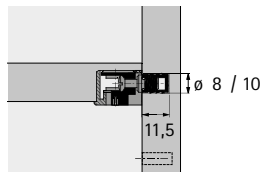


- ▶ With direct fixing thread for drilling diameter of 5 mm
- ▶ Dowel length 6.7 mm
- ▶ Can also be used for lightweight panels with 8 mm face layers
- ▶ For lightweight panels with 4 mm face layers installation only with Hettinject bonding dowels
- ▶ Steel, galvanised
- ▶ Can be used in System 32



Order no.	PU
9 022 370	5000 ea.

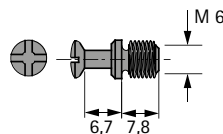
## Screw in dowel DU 648



- ▶ M6 x 7.8 mm thread
- ▶ Dowel length 6.7 mm
- ▶ Steel

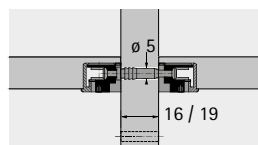
Advice:

- ▶ Please order M6 sockets separately, see page 28

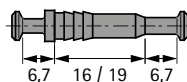


Finish	Order no.	PU
galvanised	1 035 241	2000 ea.

## Double dowel DU 712 / DU 867

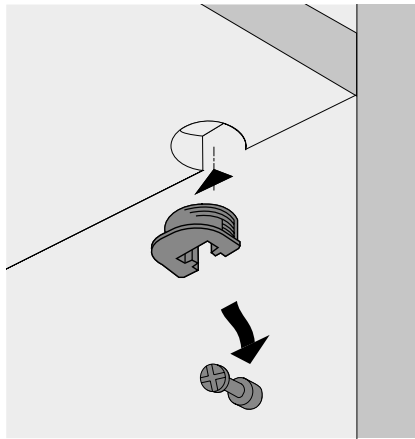


- ▶ For 16 mm and 19 mm center panel
- ▶ Drilling diameter 5 mm
- ▶ Dowel length 6.7 mm
- ▶ Can be used for lightweight panels
- ▶ Steel, bright
- ▶ Can be used in System 32



Article version	Panel thickness mm	Order no.	PU
DU 712	16	1 019 462	1000 ea.
DU 867	19	1 019 463	1000 ea.

Insert shelf from above. Assembly aid for hooking in the shelves

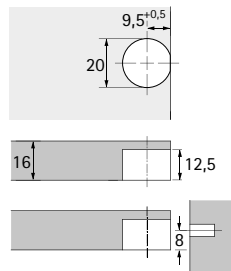


- ▶ The VB 135 connecting fitting is pressed into the cropped 20 mm ø drilling
- ▶ The shelf can only be inserted from above
- ▶ The bottom panel with the VB 135 is merely pressed onto the dowel. The wedging effect pulls the bottom panel to the side and prevents it from falling out
- ▶ Can be used for shelf thicknesses of 16 mm and over
- ▶ Plastic
- ▶ Can be used in System 32

### VB 135



#### Drilling pattern for shelves



Dowel centre from underside of shelf

Colour	Order no.	PU
brown	0 073 617	200 ea.
black	0 079 649	200 ea.

## Other connecting fittings



Never seen, yet indispensable:  
Hettich connecting fittings reliably hold all modules  
together to provide lasting furniture stability. A range that  
has it all: for furniture carcasses and worktops, plinths and

drawer fronts, lightweight elements and much more besides –  
Hettich has just the right connecting fitting that's also easy  
to install.



Universal corner connector for  
small carcass units. Simple,  
straightforward installation.

# Other connecting fittings

## ► Summary



**EverFix, MultiClip**  
VB 16 / VB 160

22 - 23



**Connecting angels and connecting screws**  
Euro brackets, universal corner connectors, universal angles,  
connecting screw VS, connecting screw VHS 32

24 - 27



**End screws, sleeves, sockets, screws**

27 - 29

### EverFix with threaded stud



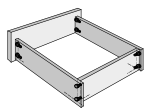
- ▶ This inconspicuous connecting fitting merely consists of a threaded stud and a knock in socket with spring steel disc
- ▶ Components can easily be pressed together by hand to produce a non detachable connection
- ▶ Pull-out strength 500 N

Finish / colour	Order no.	PU
galvanised / white	<b>0 079 118</b>	200 ea.

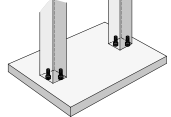
Carcase construction



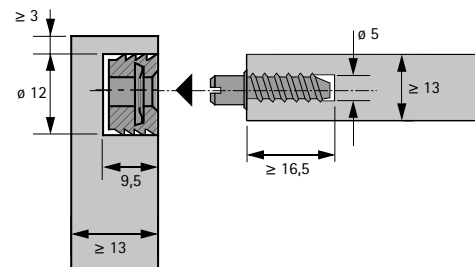
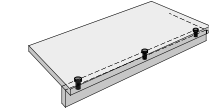
Drawer connection



Leg-to-surface connection



Fascia connection



### EverFix with Duplo

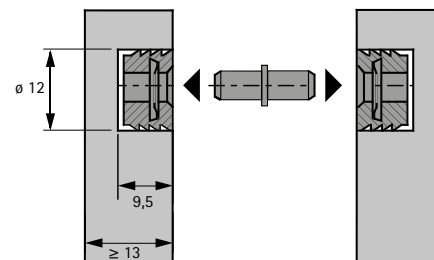
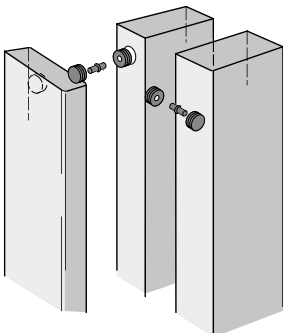


- ▶ This inconspicuous connecting fitting merely consists of a threaded stud and a knock in socket with spring steel disc
- ▶ Components can easily be pressed together by hand to produce a non detachable connection
- ▶ Pull-out strength 500 N

Finish / colour	Order no.	PU
galvanised / white	<b>0 079 119</b>	200 ea.

PU 200 = 400 Everfix + 200 Duplo

Column connection

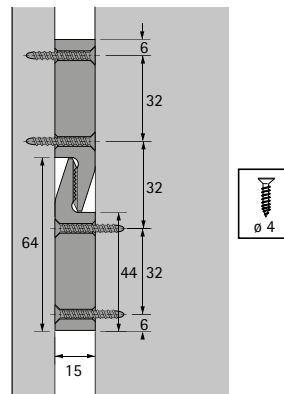
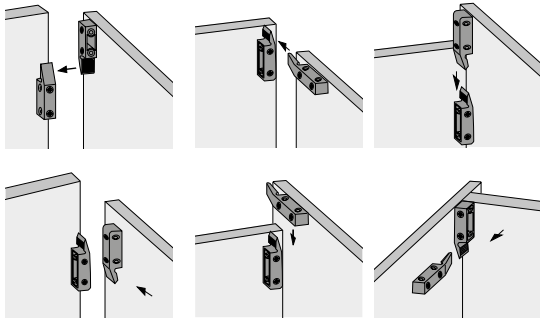


MultiClip



- ▶ MultiClip can be used in many different applications
- ▶ For wall panelling, room dividers, cladding pillars, ceiling panelling, fascias and cladding of all types
- ▶ In all applications, the fitting can be screw mounted either parallel or at right angles to the fascia or cladding component
- ▶ If it is necessary to slide the clip connectors on from the front, one of the fittings is screw mounted at an angle of 90°
- ▶ Whether for interior fittings, contract work or volume production, this fitting is a cost-saver - always and everywhere
- ▶ Only 1 fitting component for all types of application
- ▶ The clip connector components provide a secure hold with spring loaded flexible clamps and serrated surfaces
- ▶ Variable screw on positions permit to hooking in from above, from the side as well as flush fitted
- ▶ Compensation for mounting tolerances
- ▶ Clip connectors can be adjusted for perfect alignment
- ▶ Thermoplastic material, black (heat resistant)

Order no.	PU
1 009 684	200 ea.



### Euro angle for 32 mm hole line

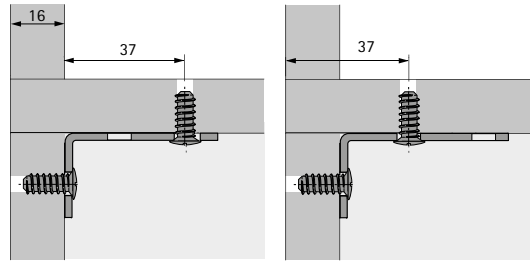
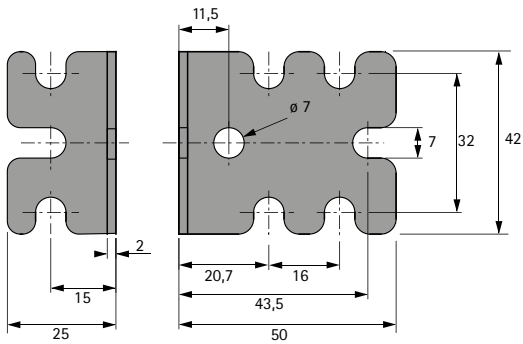


- Can be used as a multi-purpose connecting fitting for carcases, shelves, rear panels and drawer fronts
- Connecting angles: steel, galvanised
- Plastic cover cap
- Direct fixing screws,  $\varnothing$  6.3 mm
- Can be used in System 32

Page reference:

- For direct fixing screws, see page 29

Article version	Finish / colour	Order no.	PU
Connecting angles	galvanised	<b>0 024 832</b>	200 ea.
Cover cap	white	<b>0 050 314</b>	200 ea.
Cover cap	brown	<b>0 050 313</b>	200 ea.
Cover cap	black	<b>0 072 026</b>	200 ea.
Cover cap	grey	<b>0 070 292</b>	200 ea.



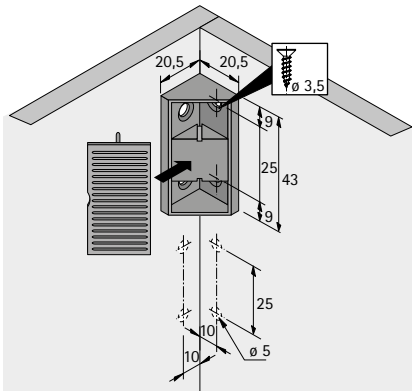
## Universal corner connector



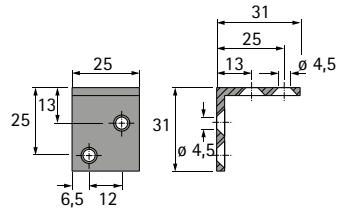
- ▶ Universal corner connector for small carcasses and for supporting low loads
- ▶ For attachment with 3.5 mm  $\varnothing$  countersunk head screw
- ▶ The cover cap simply clips on to conceal the screws
- ▶ Plastic

Colour	Order no.	PU
white	<b>0 044 742</b>	100 ea.
black	<b>0 044 743</b>	100 ea.

A PU contains 100 connectors and 100 cover caps



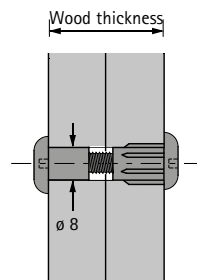
### Universal angle 31 x 31 mm



► Steel, galvanised

Order no.	PU
<b>9 113 735</b>	100 ea.

### Connecting screws VS



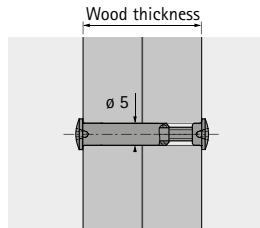
- M6 thread for drilling diameter 8 mm
- PU 100 = 100 M6 steel pins + 100 threaded caps
- Steel, bright
- Plastic head: white

Article version	Colour	Panel thickness mm	Order no.	PU
VS 34	white	34 - 41	<b>0 013 110</b>	100 ea.

# Connecting screws, end screws and sleeves

## ▶ VHS 32, End screws, sleeves

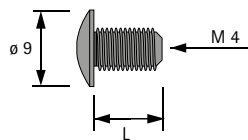
### Connecting screw VHS 32



- ▶ Unobtrusive carcass connectors for a particularly firm hold
- ▶ For drilling diameter of 5 mm
- ▶ The connecting sleeves are 27 or 35 mm long
- ▶ The threaded sleeve is set back, making it easier to screw the connecting screw in
- ▶ Screw M4 x 15 mm / connecting sleeve: nickel plated steel

Article version	Panel thickness mm	Order no.	PU
VHS 32 / 35	36 - 44	01 054 520	2000 ea.

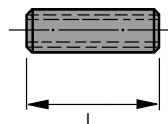
### End screw



- ▶ M4 thread
- ▶ Suitable for use with M4 threaded sleeve, see below
- ▶ Pozidrive screw
- ▶ Steel, galvanised

Length mm	Order no.	PU
8	0 079 525	200 ea.

### Threaded sleeve



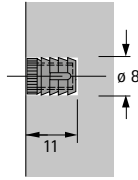
- ▶ For M4 thread
- ▶ For drilling diameter of 5 mm
- ▶ Suitable for use with end screw, see above
- ▶ Steel, galvanised

Length mm	Order no.	PU
18	1 004 939	1000 ea.

# Sockets

## ► Plastic sockets, expanding sockets

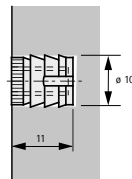
### Socket no. 49



- For M6 thread
- Drilling diameter 8 mm
- Suitable for use with Rastex 15 / 25, VB 20 / 21 and VB 35 / 36
- Plastic, white

<b>Order no.</b>	PU
<b>9 015 676</b>	10000 ea.

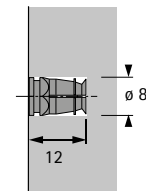
### Socket M5 x 11 mm for folding door hinge 625



- For M5 thread
- Drilling diameter 10 mm
- Plastic, white

<b>Order no.</b>	PU
<b>1 018 442</b>	5000 ea.

### Expanding socket



- For M6 thread
- Drilling diameter 8 mm
- With nylon ball, length 12 mm
- Suitable for use with Rastex 15 / 25, VB 20 / 21, VB 35 / 36 and VB 135
- Brass, bright

Article version	Length mm	Order no.	PU
with nylon ball	12	<b>1 028 024</b>	2000 ea.

# Screws

## ▶ Direct fixing screws, handle fixing screws

### Shallow countersunk head



- ▶ Shallow countersunk head
- ▶ Pozidrive screw
- ▶ Steel, galvanised

Dimensions mm	Order no.	PU
ø 6.3 x 10.5	<b>9 201 935</b>	4500 ea.

# Adjustment systems for seating and beds



**More functions – more buyers.** Hettich makes seating and beds even more comfortable and convenient. And more attractive to furniture buyers. Hettich adjustable fittings bring many additional and innovative benefits to easy

chairs, sofas and beds. For example, variable positions for seats, back and arm rests. Our wide choice of fittings lets you provide upholstered furniture and beds with a host of adjustment functions.



**Added convenience for slatted bed bases:** the Rastomat telescopic fitting engages head and foot board at any setting without having to return to the home position.

# Adjustment fittings for beds

## ► Rastomat

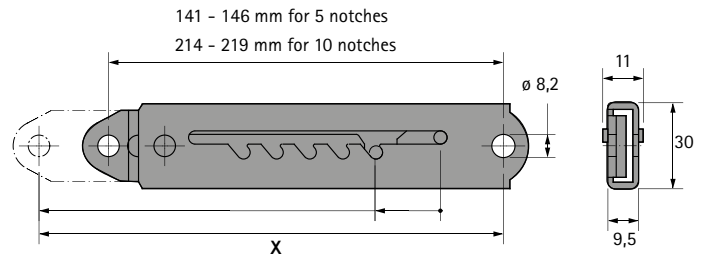
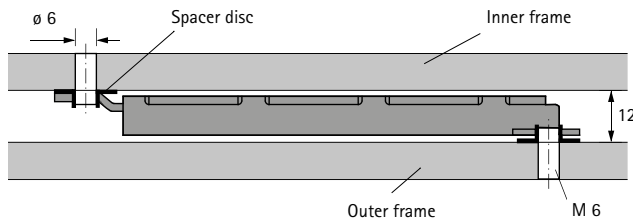
### Rastomat



- Adjustable fitting for head and foot ends
- Also suitable for height adjustable desktops, deck chairs and all types of flaps
- The fitting engages in any notch without having to return to the home position
- Rugged construction
- Safety feature prevents over extension
- The spacer disks required are included in the pack
- Steel, galvanised
- Load capacity 180 kg/ea.

Number of notches	Order no.	PU
5	<b>9 097 477</b>	100 ea.
10	<b>0 025 174</b>	10 ea.

<https://www.hettich.com/short/e5ea11>



### Dimension x mm

Position of notches	Dimension x mm for articles with 5 notches	Dimension x mm for articles with 10 notches
1 R	164	235
5 R	214	289
10 R		355

## Plinth adjustment fittings



**Standing firmly.** Give furniture a solid foundation to stand on – with high-quality, robust plinths from Hettich. Durable quality materials and sturdy constructions guarantee high

load capacity. Hettich plinth height adjustment legs make sure your furniture stands firmly. Permanently.



**Each with a load capacity of up to 450 kg:** the Korrekt is fixing bock, height adjustable leg and plinth clip all in one. Simple adjustment by hand or screwdriver.

# Plinth adjustment fittings

## ► Summary



**Korrekt height adjustable leg  
with fixing blocks and accessories**

**34 - 35**



**Euro height adjustable leg  
with fixing blocks and accessories**

**36**

# Height adjustable leg

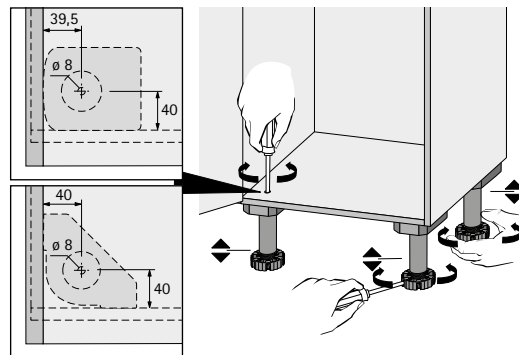
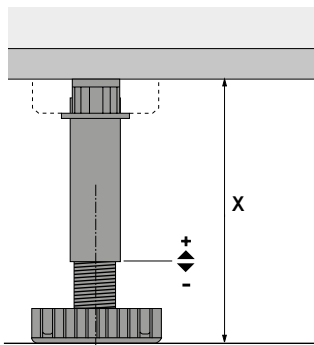
- ▶ Korrekt
- ▶ Levelling foot

## Korrekt levelling foot



- ▶ Fitting system comprising levelling feet, fixing blocks, plinth clips and other accessories
- ▶ Load capacity per leg 450 kg, maximum of 1350 kg for 3 or more legs
- ▶ Levelling foot is held securely in the fixing block when installing and repositioning the cabinet
- ▶ Large contact surface of  $\varnothing$  78 or 80 mm
- ▶ Simple height adjustment
- ▶ Plinth drawers can be fitted from a plinth height of 150 mm
- ▶ Plastic, black

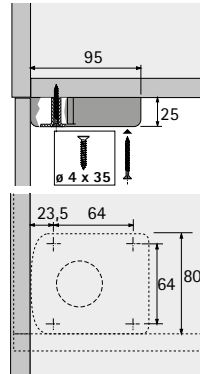
Plinth height dimension X mm	Adjustment range mm	Floor contact surface $\varnothing$ mm	Order no.	PU
80	74 - 110	80	<b>9 028 398</b>	200 ea.
100	89 - 125	80	<b>9 028 286</b>	200 ea.
110	99 - 135	80	<b>9 028 302</b>	200 ea.
150	100 - 160	80	<b>9 028 341</b>	200 ea.



# Height adjustable leg

- ▶ Korrekt
- ▶ Adapter, fixing block, plinth clip

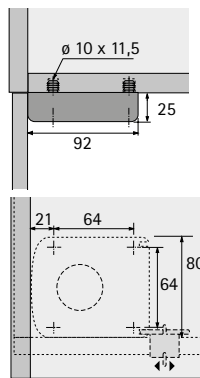
## Universal fixing block, for screwing on



- ▶ Plastic, black

Order no.	PU
9 028 230	200 ea.

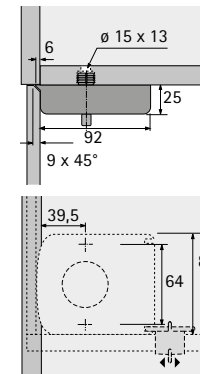
## Universal fixing block, for pressing in, with 4 dowels



- ▶ Plastic, black

Order no.	PU
0 047 654	40 ea.

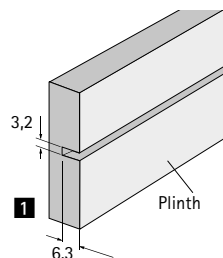
## Universal fixing block, for knocking in, with 2 expanding dowels



- ▶ Can additionally be secured with screws
- ▶ Can be removed by pulling out the expanding dowels
- ▶ With surface to support side panel
- ▶ Plastic, black

Order no.	PU
0 079 689	40 ea.

## Plinth clip for clipping onto levelling foot



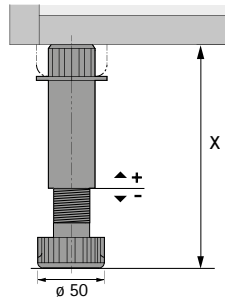
- ▶ For front and side plinth panels
- ▶ Installation: clipping onto levelling foot
- ▶ Suitable for plinth heights of 70 mm and over
- ▶ Plastic, black

Type	Order no.	PU
<b>1</b> for slotting in	0 073 481	200 ea.
<b>2</b> for screwing on	0 061 855	200 ea.

# Height adjustable leg

- ▶ Euro
- ▶ Levelling foot, adapter, fixing block, plinth panel holder

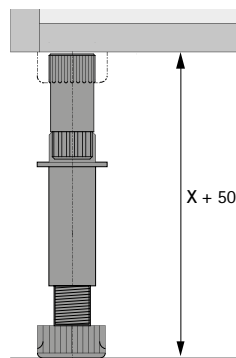
## Euro levelling foot



- ▶ Fitting system comprising levelling feet, fixing blocks and other accessories
- ▶ Load capacity 450 kg / leg, maximum of 1350 kg for 3 or more legs
- ▶ Leg is securely held in the fixing block, simple height adjustment
- ▶ Plinth drawers can be fitted from a plinth height of 150 mm
- ▶ Plastic, black

Plinth height dimension X mm	Adjustment range mm	Order no.	PU
100	95 - 123	<b>9 028 440</b>	200 ea.
150	145 - 173	<b>9 054 501</b>	100 ea.

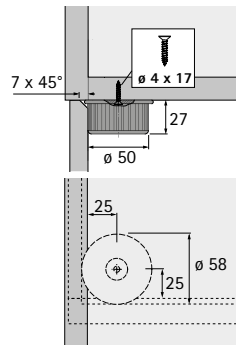
## Adapter for levelling foot



- ▶ For extending the levelling foot by 50 mm
- ▶ Plastic, black

Order no.	PU
<b>0 071 844</b>	40 ea.

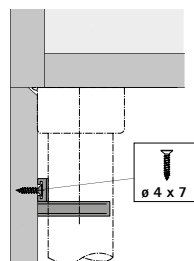
## Fixing block, for screwing on



- ▶ With surface to support side plinth panel
- ▶ Plastic, black

Order no.	PU
<b>0 071 847</b>	40 ea.

## Plinth panel holder, screw-on type



- ▶ For front and side plinth panels
- ▶ Installation: clipping onto levelling foot
- ▶ Plastic, black

Article version	Order no.	PU
Support clip	<b>9 021 864</b>	2000 ea.
Knock-in holder	<b>9 022 045</b>	2000 ea.



## Shelf supports / rails and brackets



Some Hettich shelf supports can do more than just support shelves: for example, they prevent shelves from being accidentally lifted or pulled forward and from tipping or slipping. A minor detail that can prevent a major disaster from

happening. This is where you will find the right supports and holders for any fitted cupboard. Firm and secure support elements for your shelf. And a reliable and easy to fit solution for any design of furniture.



Sekura 2 shelf support in nickel plated die-cast zinc.

# Shelf supports / rails and brackets

## ► Summary

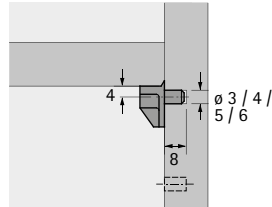


### Shelf supports

Safety, Sekura, Universal D, Duplo, push in shelf supports,  
Glass shelf supports, flattened shelf supports, grooved shelf supports,  
Shelf studs

40 - 43

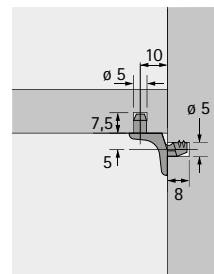
Safety



- ▶ Drilling diameter 5 mm
- ▶ Steel pin with clear plastic support surface
- ▶ Can be used in System 32
- ▶ Load group L 50 (50 kg/m<sup>2</sup>)

Order no.	PU
1 005 655	4000 ea.

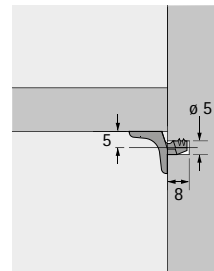
Sekura 1.1



- ▶ Pin diameter 5 mm
- ▶ 1 additional pin for shelf
- ▶ Can be used in System 32
- ▶ Load group L 75 (75 kg/m<sup>2</sup>)
- ▶ Zinc die-cast nickel-plated

Order no.	PU
9 010 110	1000 ea.

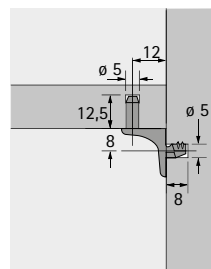
Sekura 2.1



- ▶ Pin diameter 5 mm
- ▶ Can be used in System 32
- ▶ Load group L 75 (75 kg/m<sup>2</sup>)
- ▶ Zinc die-cast nickel plated

Order no.	PU
9 010 111	1000 ea.

Sekura 6



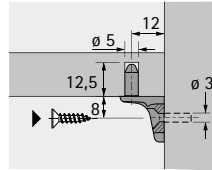
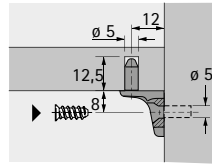
- ▶ Pin diameter 5 mm
- ▶ 1 additional pin for shelf
- ▶ Can be used in System 32
- ▶ Load group L 75 (75 kg/m<sup>2</sup>)
- ▶ Zinc die-cast nickel plated

Order no.	PU
9 005 558	500 ea.

# Shelf support

► Sekura, Universal D, Duplo, Push in

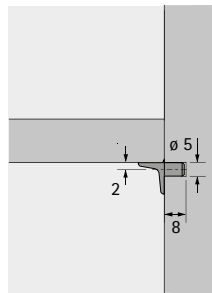
## Sekura 7



- Drilling diameter 5 mm for direct fixing screw, Countersunk head,  $\varnothing$  6.3 mm
- Drilling diameter 3 mm for countersunk head screw  $\varnothing$  4 mm
- Each with one additional pin for shelves
- Zinc die-cast nickel plated
- Can be used in System 32
- Load group L 75 (75 kg/m<sup>2</sup>)

Drilling diameter mm	Order no.	PU
5	0 053 012	500 ea.

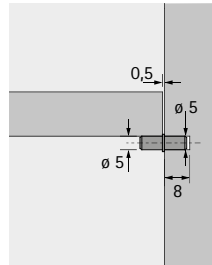
## Universal D



- Pin diameter 5 mm
- Can be used in System 32
- Load group L 75 (75 kg/m<sup>2</sup>)
- Zinc die-cast nickel-plated

Order no.	PU
1 006 203	2000 ea.

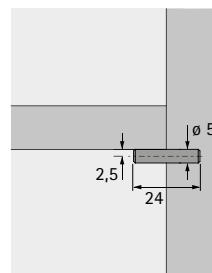
## Duplo



- Pin diameter 5 mm on both sides
- Steel
- Can be used in System 32
- Load group L 50 (50 kg/m<sup>2</sup>)

Finish	Order no.	PU
nickel plated	1 004 701	5000 ea.

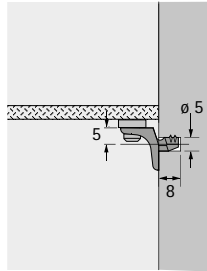
## Push in shelf supports



- Drilling diameter 5 mm
- Can be used in System 32
- Load group L 50 (50 kg/m<sup>2</sup>)
- Steel, galvanised

Order no.	PU
1 005 432	3000 ea.

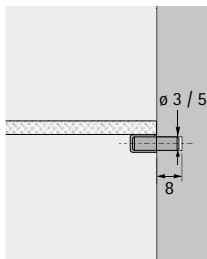
## Sekura 8



- ▶ Glass shelf supports
- ▶ Pin diameter 5 mm
- ▶ Can be used in System 32
- ▶ Load group L 75 (75 kg/m<sup>2</sup>)
- ▶ Zinc die-cast nickel plated / clear plastic

<b>Order no.</b>	PU
<b>1 010 564</b>	2000 ea.

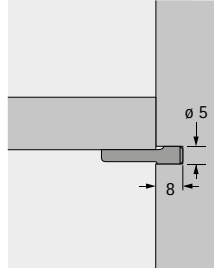
## Glass shelf supports



- ▶ Drilling diameter 5 mm
- ▶ With soft plastic cap
- ▶ Load group L 50 (50 kg/m<sup>2</sup>)
- ▶ Steel, galvanised / clear plastic

<b>Order no.</b>	PU
<b>1 056 163</b>	3000 ea.

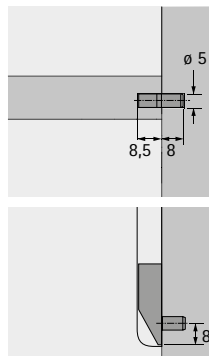
## Flattened shelf supports



- ▶ Drilling diameter 5 mm
- ▶ Can be used in System 32
- ▶ Load group L 25 (25 kg/m<sup>2</sup>)
- ▶ Steel, galvanised

Finish	Order no.	PU
brass	<b>0 052 097</b>	500 ea.
nickel	<b>0 052 096</b>	500 ea.

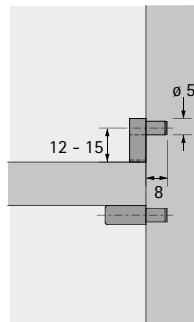
## Grooved shelf supports



- ▶ For grooved bottom panels
- ▶ Pin diameter 5 mm
- ▶ Can be used in System 32
- ▶ Load group L 25 (25 kg/m<sup>2</sup>)
- ▶ Zinc die-cast, bright

Order no.	PU
<b>0 074 805</b>	500 ea.

## Shelf studs



- ▶ Pin diameter 5 mm
- ▶ Can be used in System 32
- ▶ Plastic translucent

Order no.	PU
<b>1 005 082</b>	5000 ea.

## Cabinet suspension brackets and suspension rails



Making sure cabinets hang securely: cabinet suspension brackets from Hettich. High quality materials, high quality finish. Here too, the Hettich range provides all the options:

For screwing on or pressing in, for fitting inside the cabinet or on the back of the rear panel. All models are easy to fit and adjust.



Cabinet suspension bracket SAH 215 for use on the back of the rear panel. With precision 3-D adjustment. When mounted on rails, cabinets can be prevented from lifting off.



Cabinet suspension brackets  
Range summary / Technical comparison

47



Cabinet suspension brackets for use behind the rear panel  
SAH 215

48 - 49



Cabinet suspension brackets for use inside the carcass  
SAH 116

50 - 51



Suspension rails / Fixing material

52



Technical information



► Note on the load capacity of cabinet suspension brackets

52 - 53



# Cabinet suspension brackets

## ► Range summary / Technical comparison

	SAH 215	SAH 116
		
Page	48 - 49	50 - 51
Installation	<ul style="list-style-type: none"> <li>► For screwing on</li> <li>► On the back of the rear panel</li> </ul>	<ul style="list-style-type: none"> <li>► For screwing on</li> <li>► In the carcass</li> </ul>
Load capacity	45 kg / ea. according to EN 15939	40 kg / ea. according to EN 15939
Suspension bracket	<ul style="list-style-type: none"> <li>► Suspension hook</li> <li>► Suspension rail, type B</li> </ul>	<ul style="list-style-type: none"> <li>► Suspension hook</li> <li>► Suspension rail, type B</li> <li>► Suspension rail, type L</li> </ul>
Adjustment range		
Height	± 8 mm	± 7 mm
Depth	25 mm max.	15 mm max.
Lateral for hook suspension	± 3 mm	± 3 mm
Lateral for rail suspension	± 7.5 mm	± 7 mm
Rear panel recess	16 mm min. (from rear edge of rear panel)	16 mm min. (from front edge of rear panel)

# Cabinet suspension brackets

## ▶ SAH 215

### ▶ For installation on the back of the rear panel

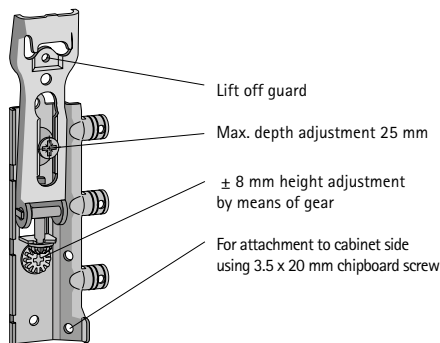
#### Cabinet suspension bracket SAH 215



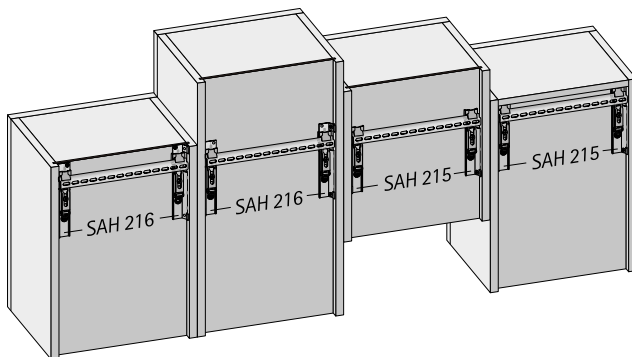
- ▶ For use on the back of the rear panel
- ▶ For rail and hook suspension
- ▶ Load capacity 45 kg / each (to EN 15939/2012)
- ▶ Attached to side panel with 3 side dowels and screwed down in the rear panel groove
- ▶ Suitable for use with rear panel recess of 16 mm and over
- ▶ Fast, easy height adjustment by means of sturdy adjustment screw and gear
- ▶ Depth adjustment: 25 mm max.
- ▶ Side adjustment:  $\pm 3$  mm for hook suspension
- ▶ Adjustment screws are protected from becoming unscrewed accidentally
- ▶ Lift off height: 7.5 mm
- ▶ Hook suspension: the shape of the hook prevents the cabinet from slipping off
- ▶ Suitable for use with B type suspension rail
- ▶ Steel, galvanised – fully recyclable
- ▶ **MUST ALWAYS** be screwed into the carcase side.
- ▶ Optional "lift off guard" function by means of special screw

Order no.	PU
9 189 903	25 ea.

#### SAH 215



#### Fitting options



Please note:

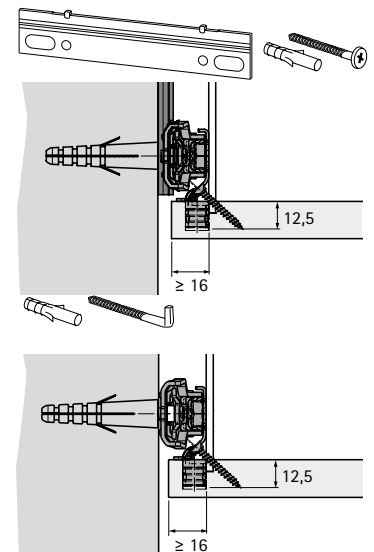
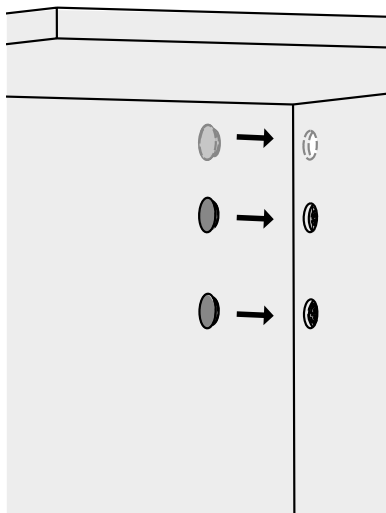
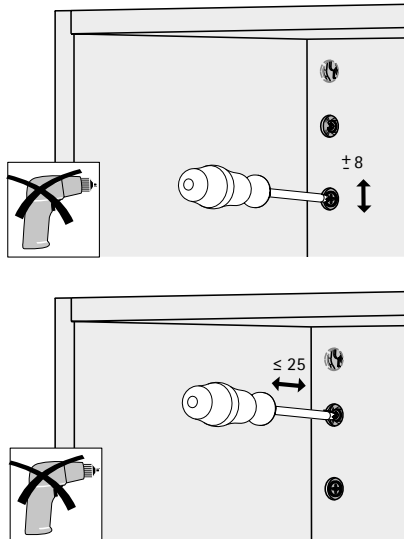
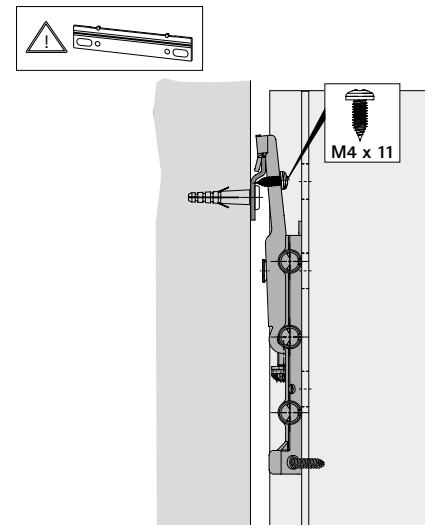
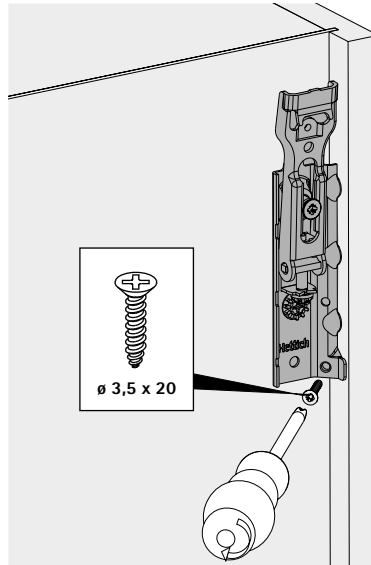
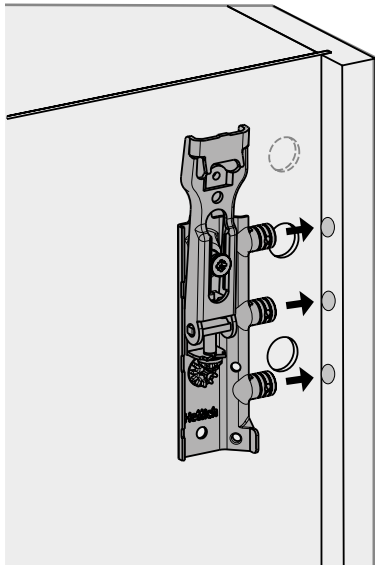
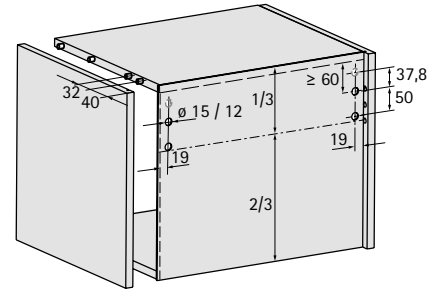
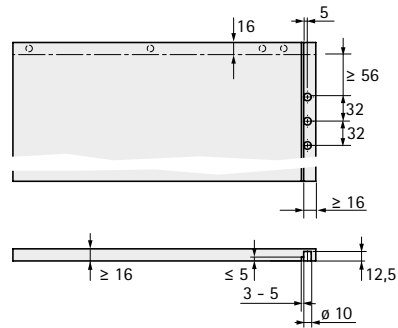
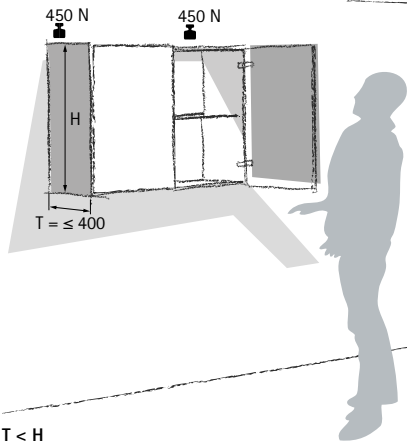
Unless attached to top panel, the SAH 215 must be mounted within the top third of the carcase.  
Adjust height before depth.

# Cabinet suspension brackets

- ▶ SAH 215
- ▶ Installation



EN 15939 (2012)



# Cabinet suspension brackets

## ▶ SAH 116

### ▶ For installation in carcass



#### Cabinet suspension bracket SAH 116



- ▶ For screwing on
- ▶ Rail or hook suspension
- ▶ Guard to prevent slipping off sideways when suspended from a hook
- ▶ Load capacity 40 kg / each in accordance with EN 15939 in test rack A (one pair of SAH per carcass; elements without own suspension, such as end shelves, are not permitted)
- ▶ 3-dimensional alignment: height  $\pm 7$  mm / max. depth 15 mm / laterally (for hook suspension)  $\pm 3$  mm / laterally (for rail suspension)  $\pm 7$  mm
- ▶ Rear panel recess (to front edge of rear panel) at least 16 mm
- ▶ Lift off height 7.5 mm
- ▶ Suitable for use with B type and L type suspension rails
- ▶ Steel, nickel plated

Article version	Depth adjustment distance	Colour	Order no. left	Order no. right	PU
4,6 / 6,5	SAH 116.1 T21*	silver	1 019 600	1 019 599	100 ea.
4,6 / 6,5	SAH 116.1 T21*	white	1 019 619	1 019 518	100 ea.

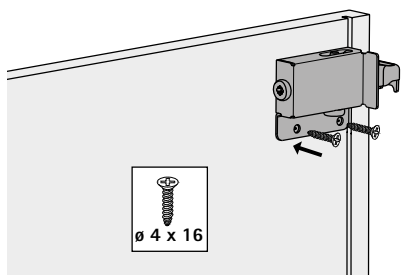
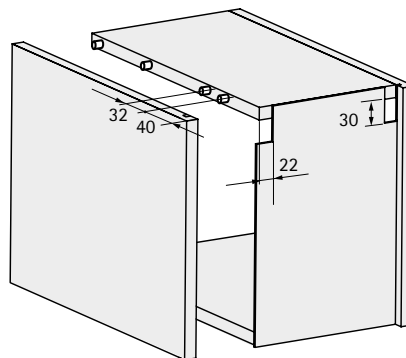
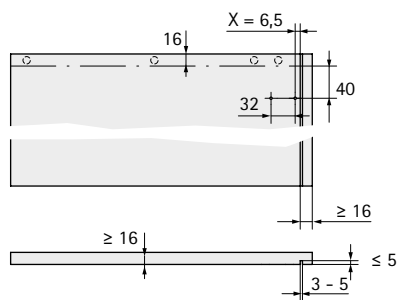
\* Hook's factory setting, measured from housing rear to end of hook

# Cabinet suspension brackets

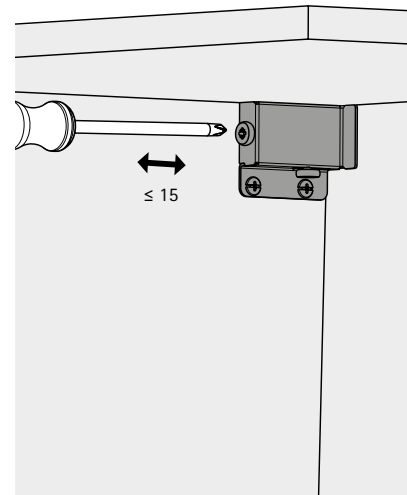
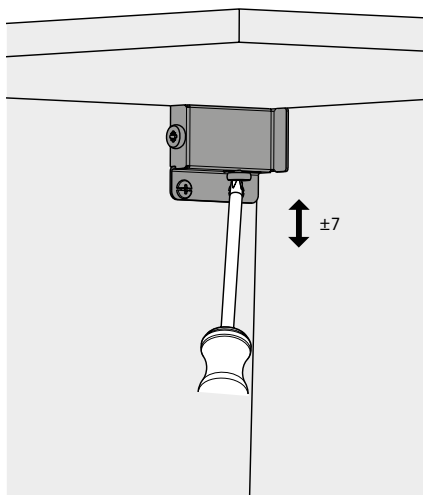
- ▶ SAH 116
- ▶ Installation



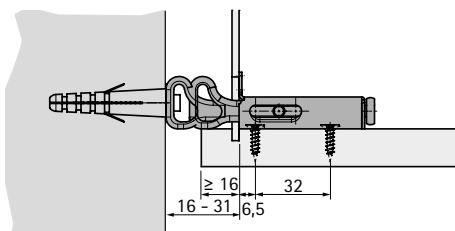
SAH 116.1



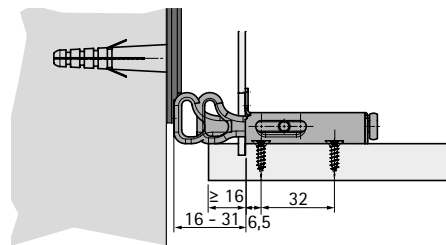
SAH 116.1



SAH 116.1



SAH 116.1



### Universal suspension rail, type B

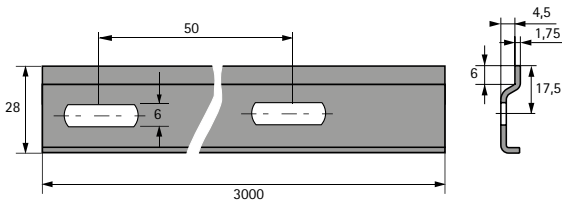


- Length 3000 mm
- For SAH 116 cabinet suspension brackets
- Load capacity 150 kg / cabinet
- Attachment:
  - with 2 special screws  $\varnothing$  5.5 x 50 mm near each cabinet suspension bracket
  - an additional special screw  $\varnothing$  5.5 x 50 must be fitted in the centre behind each carcass over 900 mm wide
  - use special fixing screws
- With oblong holes
- Steel, galvanised

#### Advice:

- Suspension rail without slip off protection; on adjusting the position of the wall unit it may slip off the suspension rail and fall!

Order no.	PU
0 052 118	25 ea.
1 133 575	900 ea.



### Rail covers



- Length 3000 mm

Colour	Order no.	PU
almond	0 060 751	50 ea.
black	0 060 749	50 ea.
tan	0 060 752	50 ea.
white	0 052 119	50 ea.

### Information on load capacity of cabinet suspension brackets and on accessories

The following basic loading principles must be observed when using cabinet suspension brackets and accessories:

- Both the furniture design and the quality of the furniture's material and production are beyond our control.
- The quality and condition of wall materials are also beyond our control.
- The suspension hooks we supply must be used with wall plugs and are intended for attachment to solid brick, solid sand lime brick, concrete or engineering brick. An 8 mm drilling must be drilled into the wall, with the plastic wall plug being knocked in to leave it flush with the surface. The hook must be screwed into a depth that leaves at least 10 mm of its length projecting from the wall.
- Commercial type special mounting elements must be used for attachment to other wall materials.
- Dowels and screws must be matched to one another. Ordinary chipboard screws must not be used instead of wall plug screws.
- Mounting suspension rails:
  - with 2 special screws,  $\varnothing$  5.5 x 50 mm, at the level of each cabinet suspension bracket
  - above a carcass width of 900 mm, an additional special screw,  $\varnothing$  5.5 x 50 mm, must be fitted at the centre on the back of each carcass (type A, type B and type H).
- Add on elements, such as end shelves, must not be fitted without separate cabinet suspension bracket.
- **The cabinet maker / retailer is responsible for ensuring that furniture placed on the market meets the requirements laid down in EN 14749.**

# Cabinet suspension brackets

- ▶ Information on load capacity of cabinet suspension brackets and on accessories
- ▶ Technical information

## Quality that meets all the demands

The quality of Hettich cabinet suspension brackets is monitored continuously. Indication of the load capacity makes it easier to choose the right suspension bracket. The stated load capacity has been checked in accordance with the requirements of EN 15939.

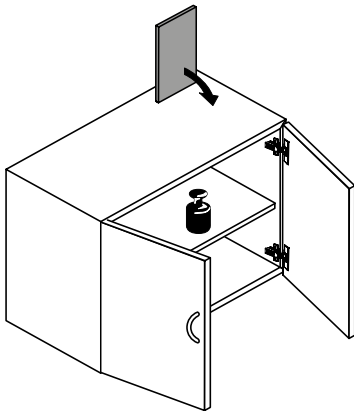
All the tests to EN 15939 which are listed below are performed in a defined test frame. The diagrams below are merely intended as illustrations.

### Quality criteria

- ▶ Practically oriented load capacities
- ▶ Easy installation of the cabinet suspension bracket
- ▶ Large adjustment ranges for adapting to conditions prevailing on site
- ▶ Secure adjustment screws
- ▶ Suitable for use in combination with suspension hook and suspension rail

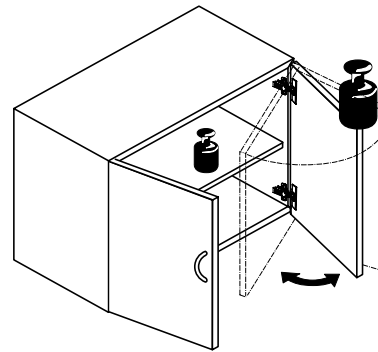
## Impact test

Loading the cabinet with 140% of the permitted load capacity. A steel plate weighing 1.7 kg is toppled over onto the top panel ten times.



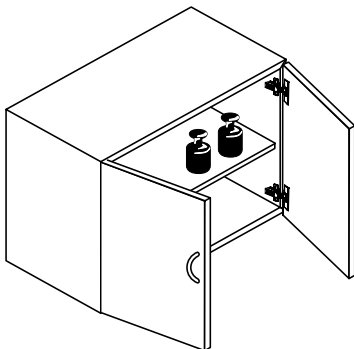
## Swivel test per door

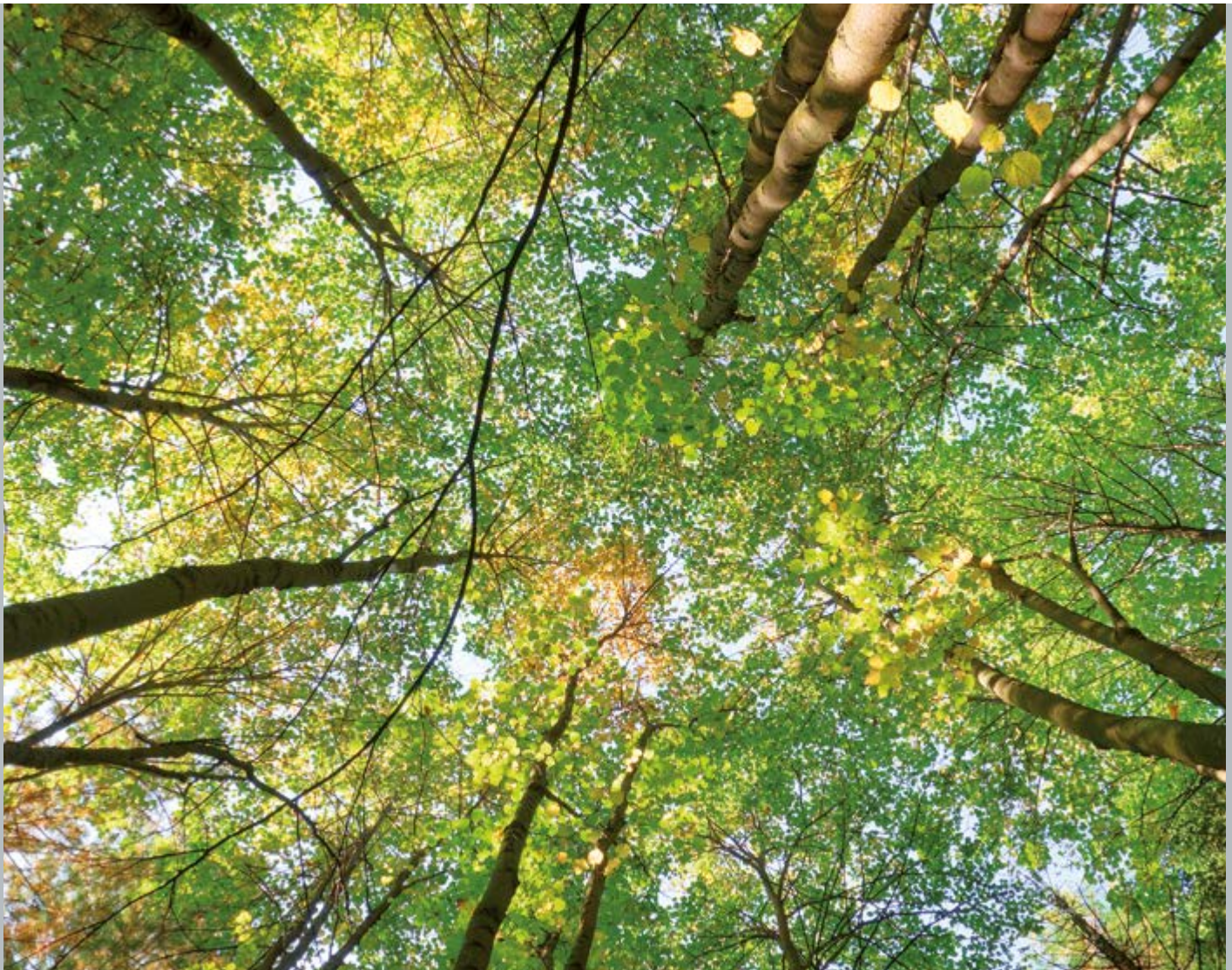
The hinged door of the loaded cabinet is opened and closed ten times with an additional weight of 30 kg.



## Overload test

Loading the cabinet with 200% of the permitted load capacity over 7 days.





Hettich takes a responsibility for the world we live in. This awareness defines the strict policy of environmental management that we practise. Our environmental officer has taken personal responsibility for these aspects throughout the group of companies over a period of many years. In addition, a separate environment committee has been established for each production site. We regard statutory provisions as minimum requirements. At significant sites we also implement the stringent EMAS Regulation. And we drive forward developments that in future will help to save even more raw materials and support the necessary endeavours towards sustainability.

### Hettich environmental management

In 1996 Hettich started introducing effective environmental management systems under the stringent EMAS Regulation (currently: EC Regulation No. 761/2001, including EN ISO 14.001/2004). This not only enables us to improve

our environmental performance on a broad front but also to achieve a high level of safety which, not least, also benefits our customers. This is why we also require our suppliers to meet the necessary minimum standards of environmental protection, industrial safety, health care and social welfare.

The results achieved in the drawer runner and drawer system product segment at the Kirchleugern operation in Germany illustrate the impressive effects these measures have and verifiably demonstrate our tireless endeavours to translate words into action:

Relief to the environment between 1997 and 2008:

Specific water consumption:	56 per cent
Specific power consumption:	21 per cent
Specific heat consumption:	84 per cent
Specific CO <sub>2</sub> emissions:	29 per cent



### Hettich standard for product materials

Hettich underpins its commitment by applying an internal standard for product materials. This ensures that every product – from production to disposal – satisfies all environmental requirements. Hettich products are durable. Appropriately foresighted, our rigorous standards are formulated to ensure that international legislation is also met. This provides a reliable base for marketing furniture worldwide.

### Zero-energy building – Hettich Forum

The Hettich Forum building with its neutral energy balance is a shining example of future-proof building design. Photovoltaic panels and a solar collection system providing hot water as well as extensive roof greening and use of rain water underscore this building's overall sustainability concept in just the same way as the broad use of cellulose

insulation material from recycled newspapers, highly efficient heat recovery and the bulb-free lighting concept do.

With the Hettich Group having acquired European Commission GreenBuilding Partner status on 5 March 2009, the comprehensive approach demonstrated by the Hettich Forum has also convinced the adjudicating panel of the national "Green Building Award 2009". Hettich received the first prize to be presented in the "New Building" category.

[www.hettich.com](http://www.hettich.com)

Order no. 9 225 584  
1608-014\_Connecting\_techn.\_0816\_HUS/en

Hettich America, L.P.  
4295 Hamilton Mill Road  
Suite 400  
Buford, GA 30518  
Phone: 1-800-438-8424  
Fax: 1-800-627-5152  
[info@hettichamerica.net](mailto:info@hettichamerica.net)

Technik für Möbel

  
**Hettich**