

# ECLIPSE

## MODEL 3135EC EASY-CLOSE

## QUICK START GUIDE

### DRAWER PREPARATION

#### FORMULA FOR CALCULATING DRAWER BOX LENGTH

Slide length = Outside drawer box length  
(Example: If slide length = 16", the outside length of the drawer box = 16")

#### FORMULA FOR CALCULATING DRAWER BOX HEIGHT

Maximum drawer height = cabinet height minus 13/16"

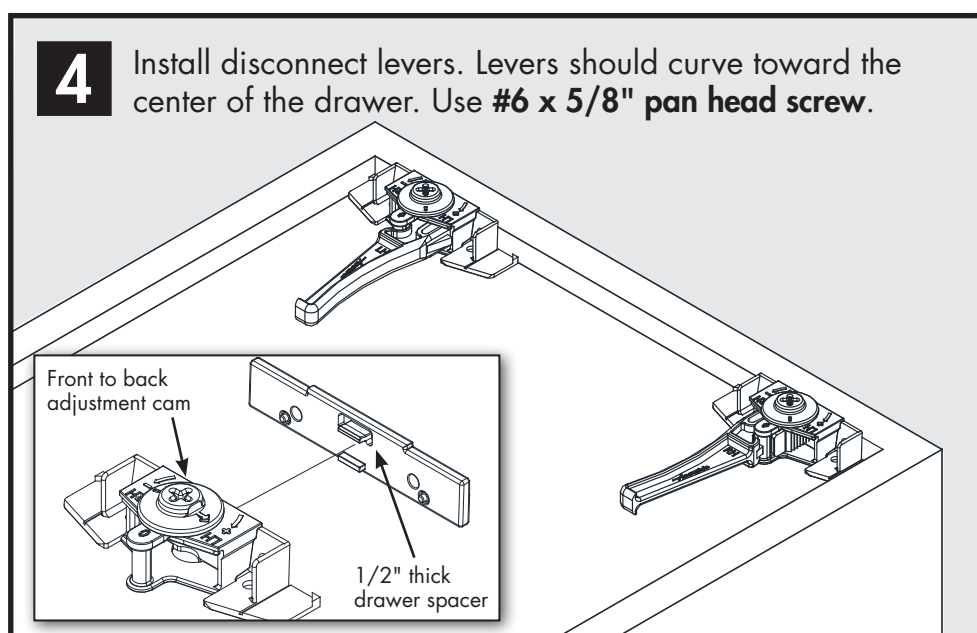
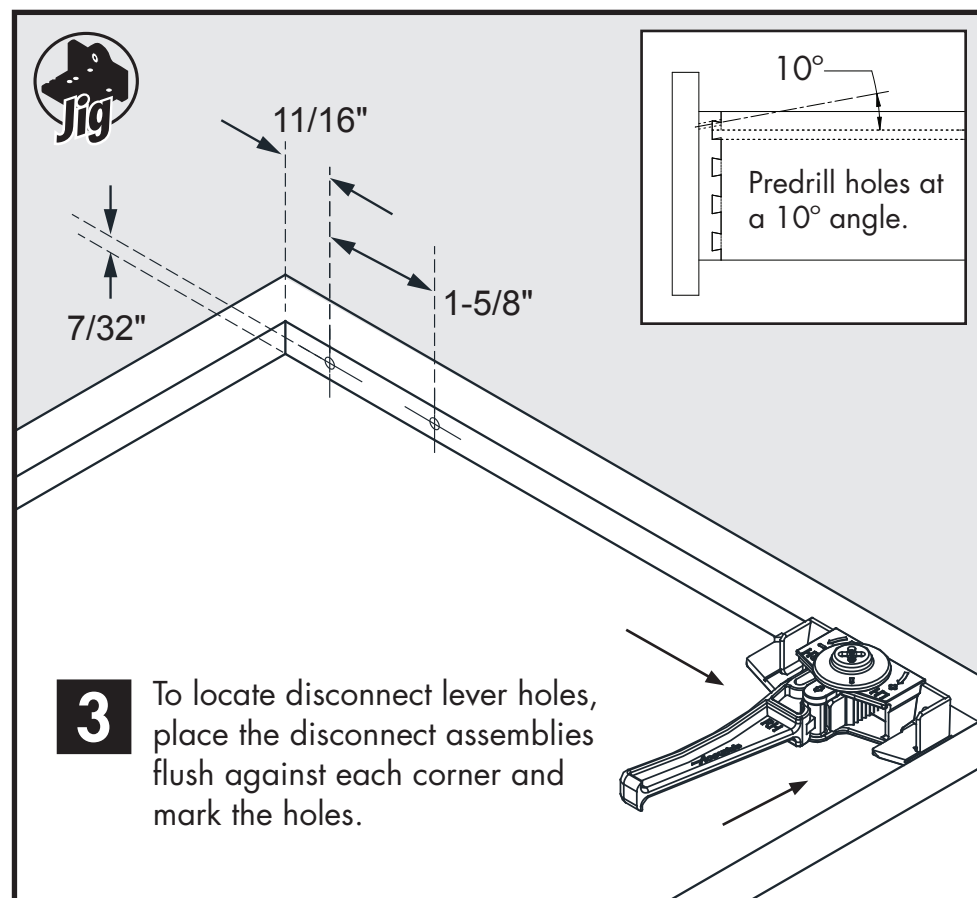
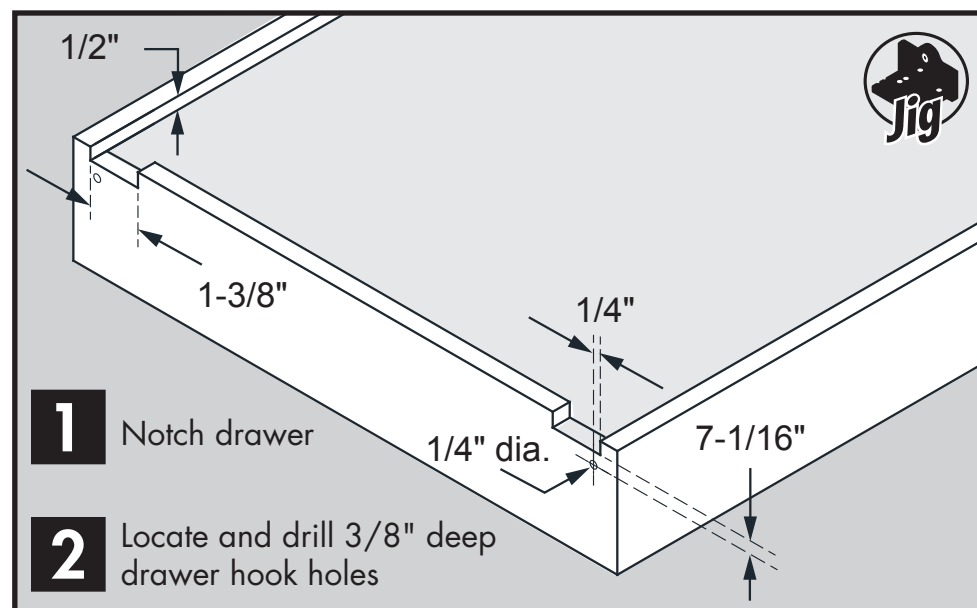
#### Drawer Box Length tolerance +0/-1/16"

#### FORMULA FOR CALCULATING DRAWER BOX WIDTH

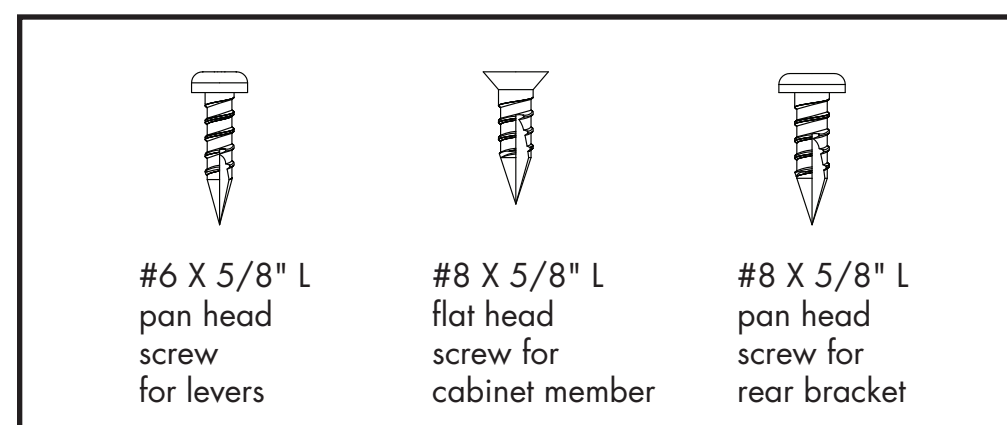
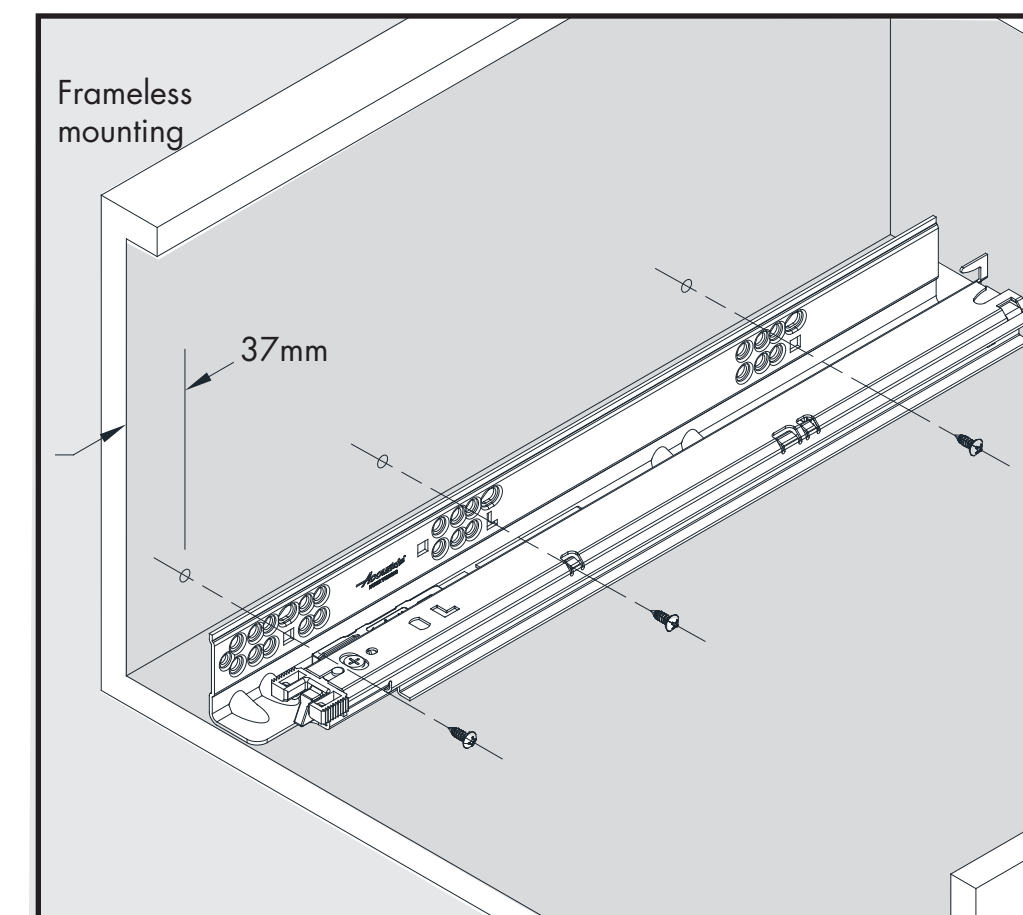
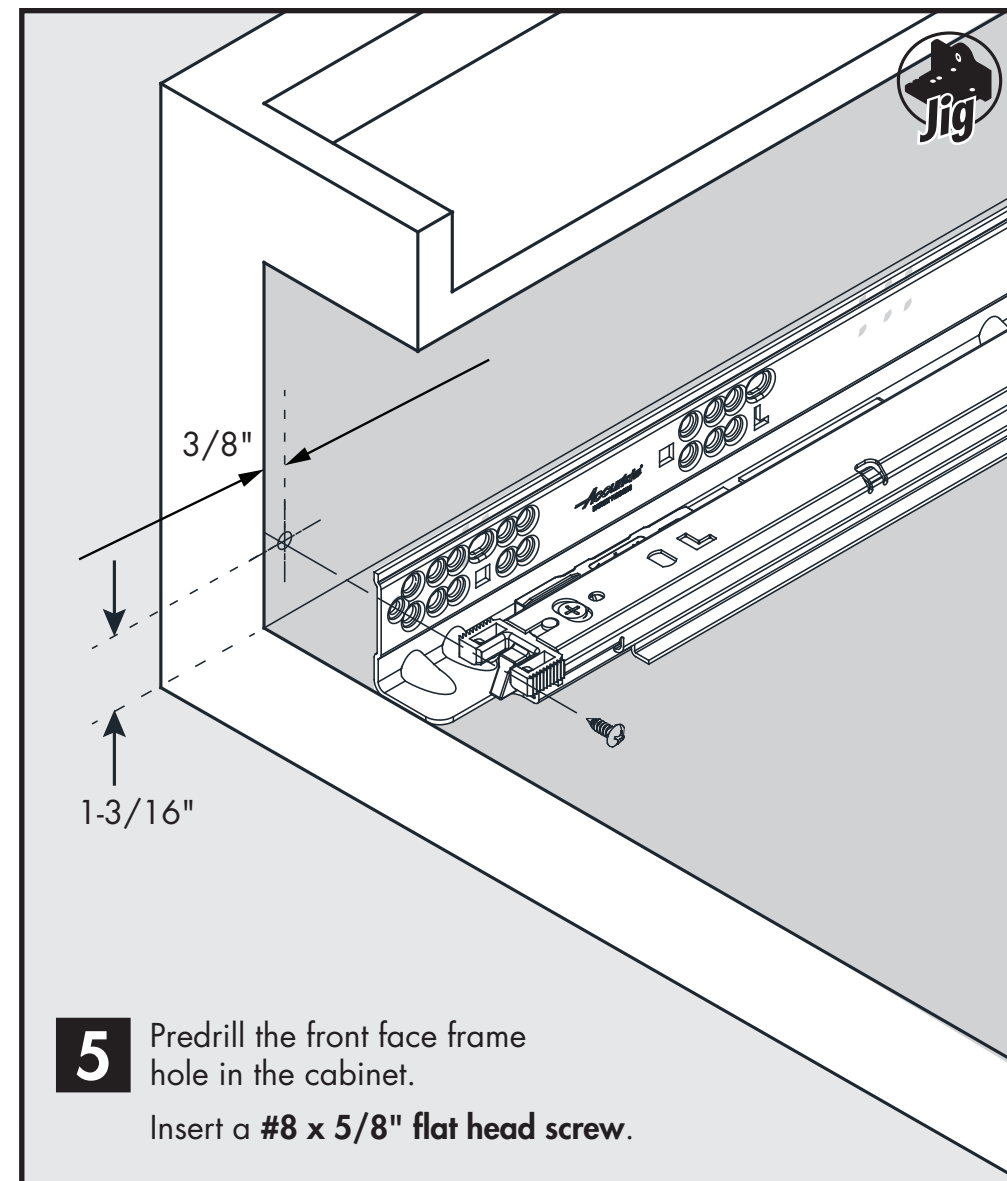
For drawer side thickness: 5/8" 16mm 19/32" 15mm 9/16" 14mm 1/2" 13mm

For inside drawer width, deduct from inside cabinet width: 1-3/4" 44.45mm 1-3/4" 44.45mm 1-3/4" 44.45mm 1-3/4" 44.45mm

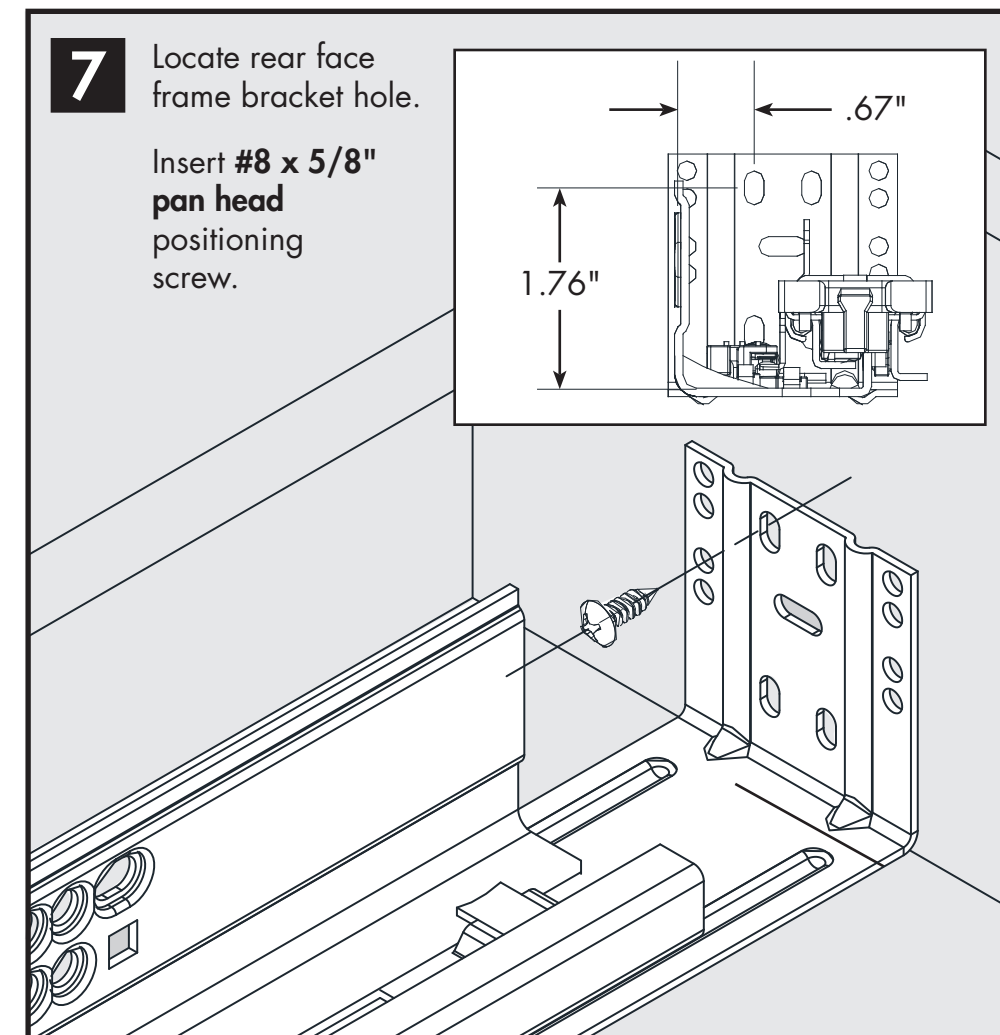
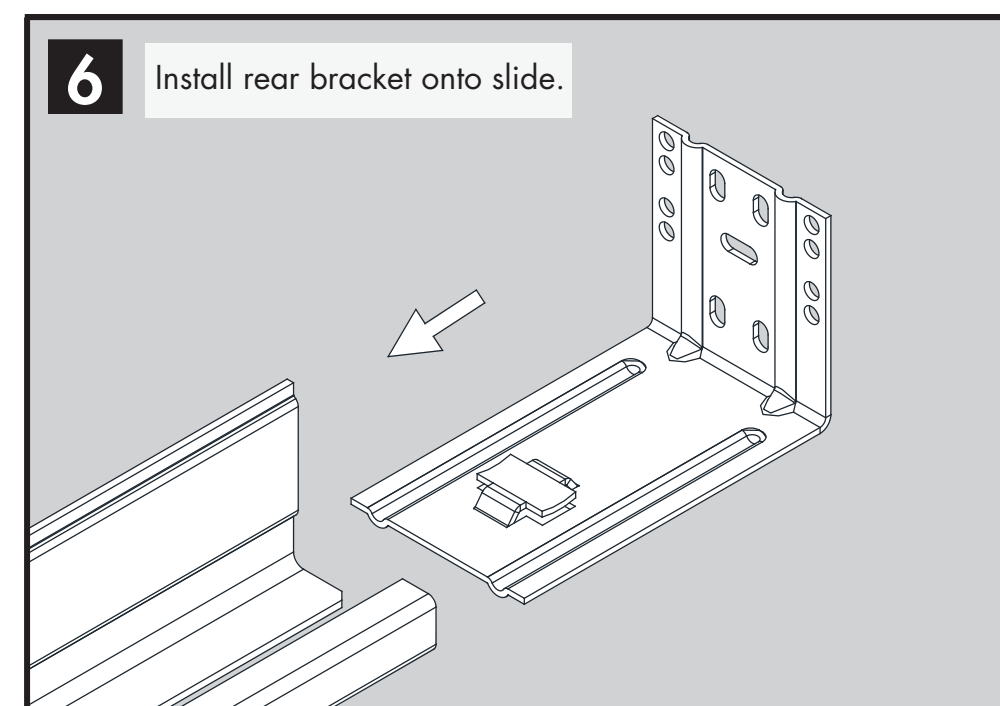
For outside drawer width, deduct from inside cabinet width: 1/2" 13mm 9/16" 15mm 5/8" 17mm 3/4" 19mm



### CABINET MEMBER



### REAR FACE FRAME BRACKET



#### OPTIONAL KITS:

**Drilling Jig**  
PN 4180-0568-XE

**Slotted Rear Face Frame Bracket**  
PN 4180-0656-XE

**Bottom Mount Bracket**  
PN 4180-0569-XE

**Inset Face Frame Bracket**  
PN 4180-0604-XE

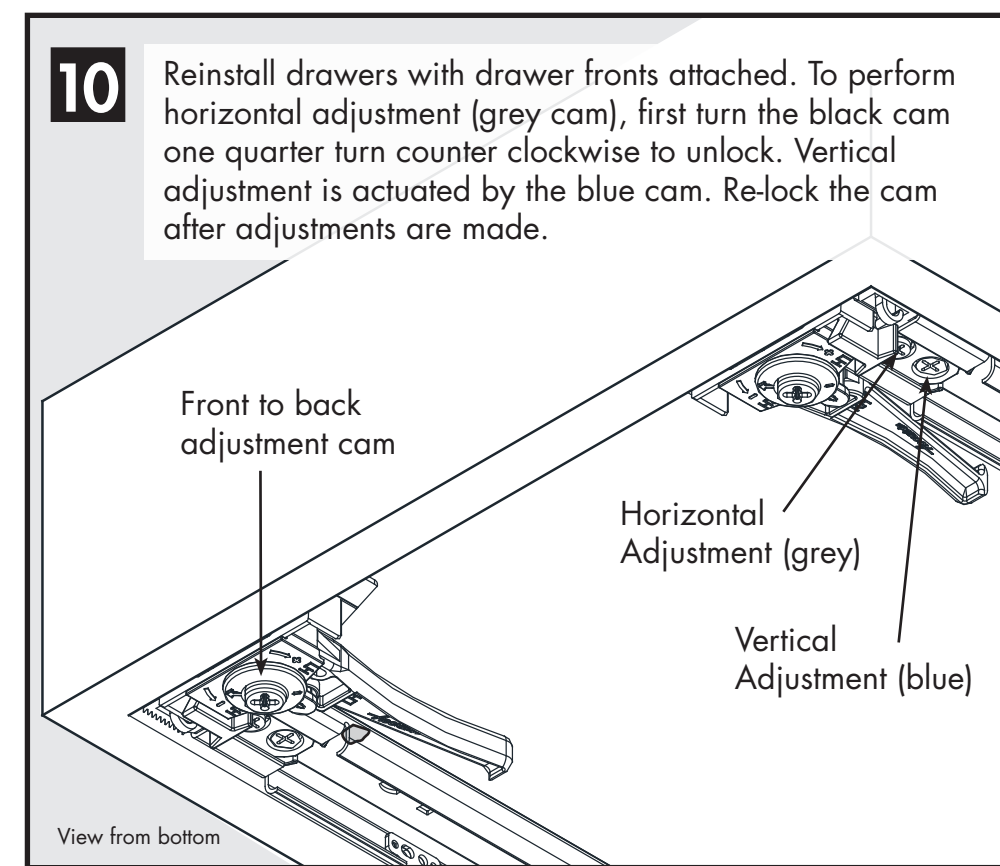
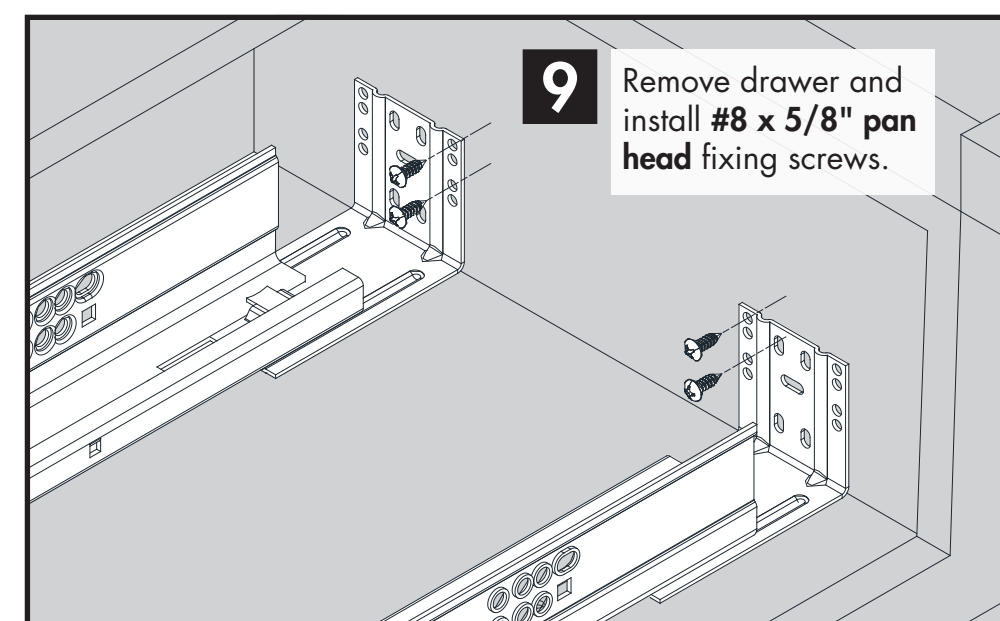
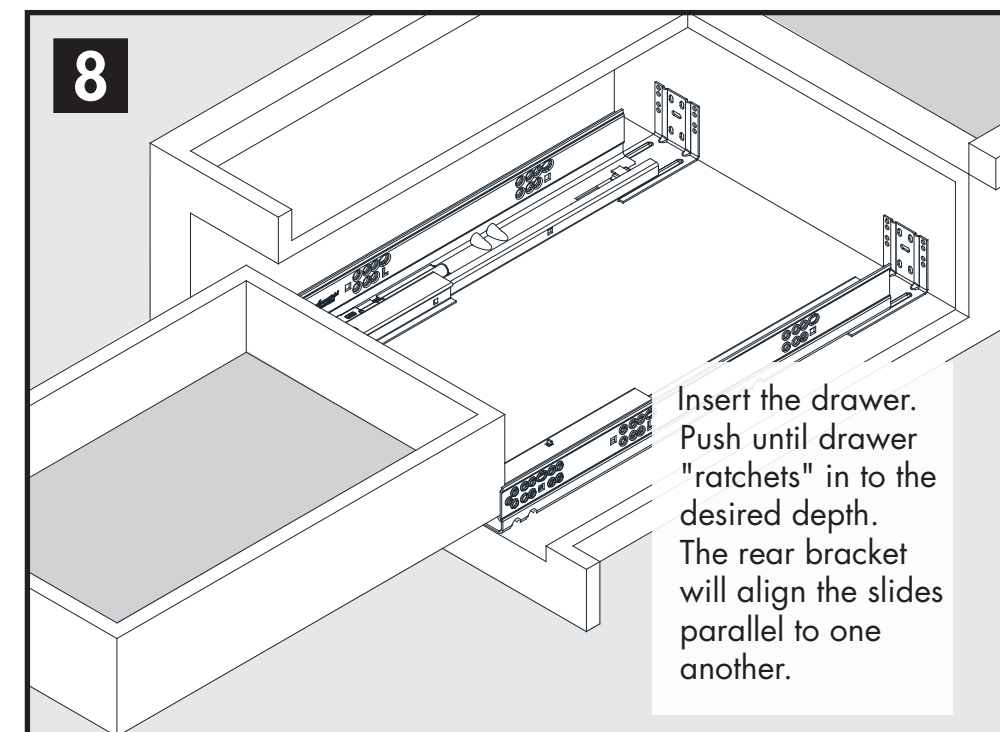
**Bottom Inset Face Frame Bracket**  
PN 4180-0605-XE

**Vertical Mount Disconnect**  
PN 4180-0747-XE

**Tool Kit**  
PN 4180-0603-XE

For more detailed installation information, see product technical sheet.

### DRAWER INSERTION & ADJUSTMENT



**NOTE:** Install knobs or pulls after drawer fronts are adjusted to ensure proper alignment.

**Accuride**

12311 Shoemaker Avenue • Santa Fe Springs, CA 90670  
(562) 903-0200  
www.accuride.com