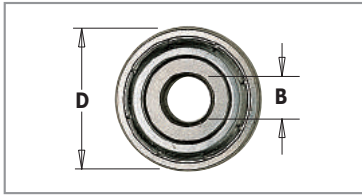




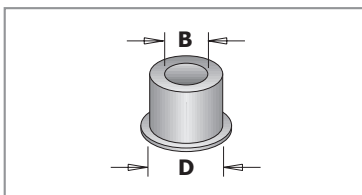
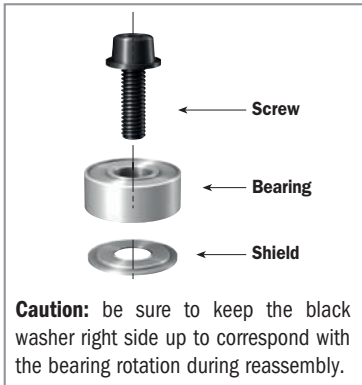
990.422/423 Shield for bearing

ORDER NO.	PACK QTY.	DESCRIPTION
990.422.00	10	Shield for 3/8" bearing
990.423.00	10	Shield for 1/2" bearing



791 Top-Quality Bearings

ORDER NO.	PACK QTY.	D		B		T ₁
		inches	mm	inches	mm	mm
791.035.00	10	1/4	6.35	1/8	3.17	3.2
791.002.00	10	3/8	9.5	3/16	4.76	3.2
791.003.00	10	1/2	12.7	3/16	4.76	5
791.010.00	10	1/2	12.7	1/4	6.35	4.8
791.022.00	10		13		5	4
791.018.00	10	5/8	15.8	3/16	4.76	5
791.009.00	10	5/8	15.8	1/4	6.35	5
791.006.00	10		16		5	5
791.025.00	10		16		8	5
791.019.00	10	3/4	19	3/16	4.76	7.5
791.007.00	10		19		6	6
791.004.00	10	3/4	19	1/4	6.35	7
791.034.00	10		19		8	6
791.011.00	10	3/4	19	1/2	12.7	4
791.012.00	10		22		8	6
791.005.00	10		22		8	7
791.017.00	10	7/8	22.2	3/16	4.76	7.5
791.021.00	10	7/8	22.2	3/8	9.52	7
791.013.00	10	7/8	22.2	1/2	12.7	4
791.036.00	10		24		8	8
791.026.00	10		28		12	8
791.014.00	10	1-1/8	28.5	3/16	4.76	8.4
791.030.00	10	1-1/8	28.5		8	8.5
791.027.00	10	1-1/8	28.5	1/2	12.7	8
791.033.00	10	1-1/4	31.7		8	5
791.015.00	10	1-1/4	31.7	1/2	12.7	10
791.016.00	10	1-3/8	34.9	3/16	4.76	11.5
791.031.00	10	1-3/8	34.9		8	11.6
791.029.00	10	1-3/8	34.9	1/2	12.7	11
791.028.00	10		37		12	12
791.020.00	10	1-1/2	38.1	1/2	12.7	13.3
10° Delrin® Conical Bearing						
791.041.00	10	3/4	19	3/16	4.76	6.8
791.048.00	10	22		3/16	4.76	6.8
Delrin® Triangular Bearings						
791.042.00	10	1/2	12.7	3/16	4.76	5.8
791.043.00	10	3/4	19	3/16	4.76	7
Delrin® Cylindrical Bearings						
791.044.00	10	1/2	12.7	3/16	4.76	5
791.045.00	10	5/8	15.8	3/16	4.76	7.2
791.046.00	10	3/4	19.05	3/16	4.76	6.8
791.047.00	10		37.4	1/2	12.7	15.7



799 Reduction bushing for bearing

ORDER NO.	PACK QTY.	D		B	
		inches	mm	inches	mm
799.019.00	10	1/4	6.35	3/16	4.76
799.017.00	10	5/16	8	3/16	4.76
799.014.00	10	1/2	12.7	3/16	4.76